

FAB32URRD3



| | |
|--------------------------|---------------|
| Product Family | Refrigerator |
| Installation | Free standing |
| Category | Bottom Mount |
| Sistema Total No - Frost | Total |
| Cooling type | No Frost |
| Defrost | Automatic |
| Hinge position | Right |
| EAN code | 8017709272081 |



Aesthetics

| | | | |
|---------------|------------|------------------------------|------------|
| Aesthetic | 50's Style | Logo | Applied |
| Colour | Red | Door shelves profile color | Chrome |
| Finishing | Glossy | Drawers profile color | Chrome |
| Handle colour | Chrome | Color of glass shelf profile | Chrome |
| Side material | Steel | Display | 7 segments |
| Side colour | Red | | |

Refrigerator compartment features



| | | | |
|---|----------|---|------------------------------|
| No. of adjustable shelves | 3 | Type of crisper/vegetable drawers cover | Glass |
| Number of fruit and vegetables drawers | 1 | Life Plus zone-0°C | Yes, with electronic control |
| Type of adjustable shelves | Glass | Internal light in fridge | Yes |
| Type of crisper/vegetable drawers cover | Standard | Type of internal light (fridge) | LED |
| Crisper Cover | Yes | | |

Refrigerator Inner Door

| | | | |
|--|---|----------------------------------|-----|
| No. of door shelves with transparent cover | 1 | No. of bottle shelves | 1 |
| Number of adjustable door shelves | 2 | Bottle shelves with wire support | Yes |

Adjustable door shelves Yes
with wire support

Other Refrigerator features



Accessories
MultiFlow

Egg tray
Yes

Fan

Yes

Freezer compartment features

Number of drawers 2
No. of compartments 1
with flap

Type of shelves Plastic

Other Freezer features



Accessories

1 ice box

Fast freezing
compartment

Yes

Other technical features



Functions display

Holiday, Fast freezing, Fast cooling, ECO, Temperature alarm

Fast freezing button

Yes

Power on lamp

Yes

Temperature alarm lamp

Yes

Door open alarm

Acoustic and visual

Temperature Alarm

Yes

Type of temperature control

Electronic

No. of compressors

1

Refrigerant gas type

R600a

Type of compressor

Standard

Refrigerant Quantity (gr)

2.1 oz

Foam agent

Cyclopentane

Performance / Energy Label - Reg. 2019

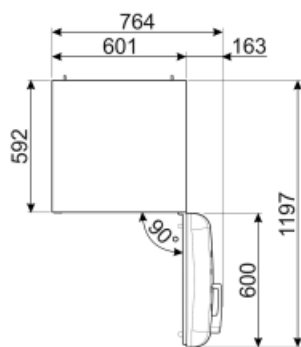
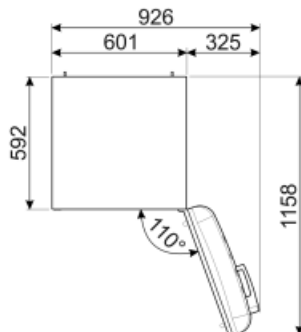
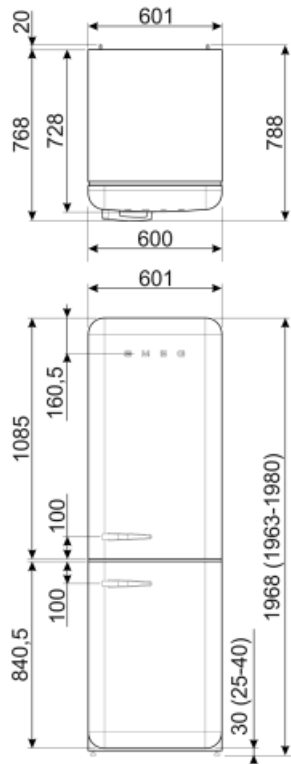
Airborne acoustical noise emissions 37 dB(A) re 1pW

Gross volume frozen food compartment










3.99 cu. ft.

Electrical Connection

| | | | |
|-------------------------------------|-------------------|----------------------------------|----------|
| Plug | (A) USA e Messico | Voltage (V) | 115 V |
| Electrical connection rating | 127 W | Frequency (Hz) | 50/60 Hz |
| Current | 1,2 A | Power supply cable length | 70 7/8 " |



Symbols glossary (TT)

- | | | | |
|--|--|---|--|
|  | The automatic defrost system works by automatically defrosting at regular intervals eliminating the need to defrost altogether. |  | Economical mode: Analyzes fridge functioning during the activation and optimizes the operating cycle in order to reduce power consumption. |
|  | Ventilated: Forced distribution of cold air in the refrigerator compartment, which allows even temperature distribution within the fridge. |  | Fast freezing: The fast freezing function brings the temperature of the compartment down when activated a few hours prior to usage. |
|  | Power saving mode: The power saving mode allows you to disable the refrigerator and keep the freezer working. |  | LED interior lighting: is a more energy efficient and long lasting way of illuminating the interior of the appliance. |
|  | Life Plus 0°C: The temperature in the Lifeplus compartments is kept at 0°C, which preserves fresh meat and fish longer. |  | Air plus: keeps food fresher for longer. |
|  | No Frost: The No Frost and Frost free systems prevent ice from forming so that no defrosting is required. | | |