

# FAB38URWH



<b>Product Family</b>	Refrigerator
<b>Installation</b>	Free standing
<b>Category</b>	Bottom Mount
<b>Sistema Total No - Frost</b>	Total
<b>Cooling type</b>	Total No Frost - Double Cooling system
<b>Defrost</b>	Automatic
<b>Hinge type</b>	Standard
<b>Hinge position</b>	Right
<b>EAN code</b>	8017709291440



## Aesthetics



<b>Aesthetic</b>	50's Style	<b>Logo</b>	Applied
<b>Colour</b>	White	<b>Door shelves profile color</b>	Silver
<b>Finishing</b>	Glossy	<b>Drawers profile color</b>	Silver
<b>Design</b>	Rounded	<b>Color of glass shelf profile</b>	Silver
<b>Handle colour</b>	Chrome	<b>Display</b>	LED
<b>Logo colour</b>	Chrome	<b>Display position</b>	Interno (cella frigo)
<b>Side material</b>	Steel	<b>Alternative colours available</b>	Pastel blue, White, Black, Cream, Red, Pastel green
<b>Side colour</b>	White		

## Refrigerator compartment features



<b>No. of adjustable shelves</b>	3	<b>Type of crisper/vegetable drawers cover</b>	Glass
<b>Number of fruit and vegetables drawers</b>	1	<b>Life Plus zone-0°C</b>	-2°C +3 °C
<b>Type of adjustable shelves</b>	Glass	<b>Internal light in fridge</b>	Yes
<b>Type of crisper/vegetable drawers cover</b>	On sliding rails	<b>Type of internal light (fridge)</b>	LED
<b>Crisper Cover</b>	Yes		

## Refrigerator Inner Door

Number of adjustable door shelves	3	No. of bottle shelves	1
-----------------------------------	---	-----------------------	---

## Other Refrigerator features



MultiFlow	Yes	Fan	Yes
-----------	-----	-----	-----

## Freezer compartment features

Number of drawers	2	No. of compartments with flap	1
No. of shelves	2	Type of shelves	Glass

## Other Freezer features



Manual ice maker	Yes	Fast freezing compartment	Yes
Ice maker	Manual		

## Other technical features



Functions display	Fast freezing, ECO, Temperature alarm
Fast freezing button	Yes
Temperature alarm lamp	Yes
Door open alarm	Acoustic and visual
Temperature Alarm	Yes
Type of temperature control	Electronic
No. of compressors	1
Refrigerant gas type	R600a
Type of compressor	Inverter
Refrigerant Quantity (gr)	1.5 oz
Foam agent	Cyclopentane

## Performance / Energy Label - Reg. 2019

Airborne acoustical noise emissions	42 dB(A) re 1pW	Climate class	SN, N, ST, T
-------------------------------------	-----------------	---------------	--------------

## Electrical Connection

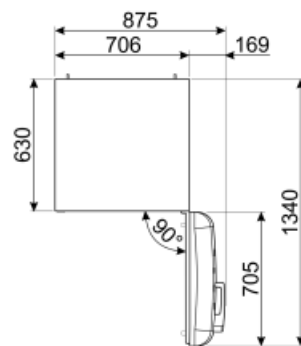
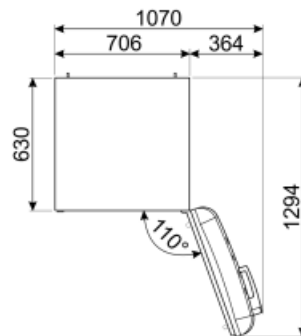
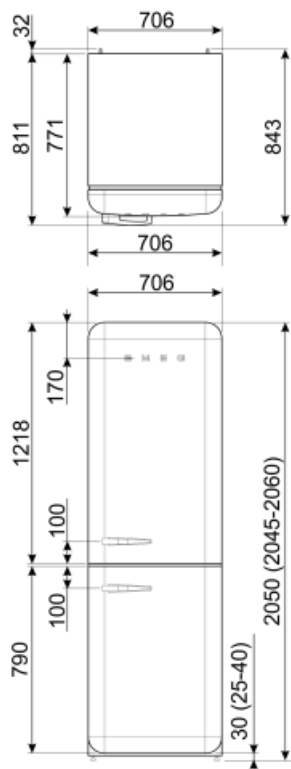
Plug	(A) USA e Messico	Frequency (Hz)	60 Hz
Current	2,3 A		

Voltage (V)

120 V

Power supply cable  
length










70 7/8 "



---

## Symbols glossary (TT)

---

	The automatic defrost system works by automatically defrosting at regular intervals eliminating the need to defrost altogether.		LED display: to show programmes, functions and options selected and the time to the end of the cycle.
	Economical mode: Analyzes fridge functioning during the activation and optimizes the operating cycle in order to reduce power consumption.		Ventilated: Forced distribution of cold air in the refrigerator compartment, which allows even temperature distribution within the fridge.
	Fast freezing: The fast freezing function brings the temperature of the compartment down when activated a few hours prior to usage.		LED interior lighting: is a more energy efficient and long lasting way of illuminating the interior of the appliance.
	Life Plus 0°C: The temperature in the Lifeplus compartments is kept at 0°C, which preserves fresh meat and fish longer.		Smeg's evolution towards more intelligent and eco-friendly models has led to the choice of Inverter technology, which significantly reduces consumption.
	Air plus: keeps food fresher for longer.		