

FAB5LBL5



| | |
|------------------|---------------|
| Product Family | Refrigerator |
| Installation | Free Standing |
| Category | One Door |
| Reference width | Until 60 cm |
| Reference height | Until 100 cm |
| Cooling type | Static |
| Defrost | Automatic |
| Hinge type | Standard |
| Hinge position | Left |
| EAN code | 8017709299453 |



Aesthetics

| | | | |
|---------------|--------------|-------------------------------|---------|
| Aesthetics | 50's Style | Logo colour | Chrome |
| Colour | Black | Side material | Steel |
| Design | Rounded | Side colour | Black |
| Finishing | Gloss | Logo | Applied |
| Material | Heat-moulded | Door shelves profile colour | Chrome |
| Handle | External | Drawers profile colour | Chrome |
| Handle type | Fixed | Colour of glass shelf profile | Chrome |
| Handle colour | Chrome | | |

Refrigerator compartment features



| | | | |
|---------------------------|-------|---------------------------------|-----|
| No. of adjustable shelves | 2 | Internal light in fridge | Yes |
| Shelves material | Glass | Type of internal light (fridge) | LED |


Refrigerator Inner Door

| | | | |
|---|-----|----------------------------------|-----|
| Number of adjustable door shelves | 1 | No. of bottle shelves | 1 |
| Adjustable door shelves with wire support | Yes | Bottle shelves with wire support | Yes |

Other technical features

| | |
|-----------------------------|--------------|
| Type of temperature control | Electronic |
| Refrigerant gas type | R600a |
| Type of compressor | Standard |
| Refrigerant Quantity (g) | 19 g |
| Foam agent | Cyclopentane |

Performance / Energy Label

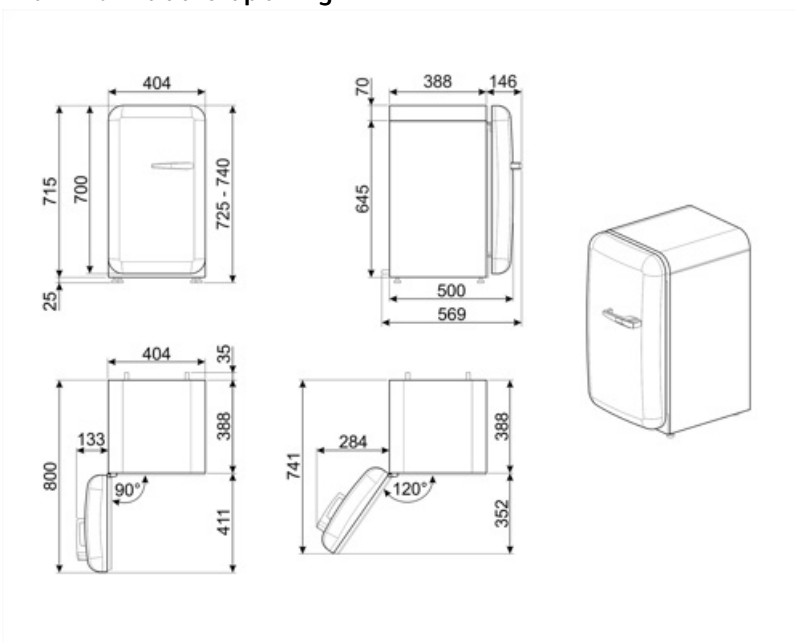
| | | | |
|--|-------------|--|------------------|
|  | | | |
| Annual energy consumption | 61 kWh/year | Sum of the volumes of the chill compartment(s) and the unfrozen compartment(s) | 34 l |
| Energy efficiency class | D | Noise level | 40 dB(A) re 1 pW |
| Airborne acoustical noise emission class | C | Climatic class | SN, N, ST, T |
| Total volume | 34 l | EI | 79 % |

Electrical Connection

| | | | |
|---------------|-----------|---------------------------|--------------|
| Nominal power | 60 W | Frequency (Hz) | 50/60 Hz |
| Current | 0,3 A | Power supply cable length | 100 cm |
| Voltage (V) | 220-240 V | Plug | (F;E) Schuko |

Logistic Information

| | | | |
|--|--------|--------------------------------------|--------|
| Width (mm) | 404 mm | Product depth with handle | 570 mm |
| Depth without handle | 500 mm | Product depth with doors open at 90° | 800 mm |
| Product Height with feet | 725 mm | Spacer depth | 30 mm |
| Product width with maximum doors opening | 707 mm | | |



Compatible Accessories

KITCABLE90UK

Cable with IEC connector and UK plug

Alternative products



FAB5LRD5

Hinge position: Left
Red



FAB5LPG5

Hinge position: Left
Pastel Green



FAB5LCR5

Hinge position: Left
Cream



FAB5LPK5

Hinge position: Left
Pink



FAB5LOR5

Hinge position: Left
Orange



FAB5LWH5

Hinge position: Left
White



FAB5LSV5

Hinge position: Left
Silver



FAB5LPB5

Hinge position: Left
Pastel Blue

Symbols glossary



The automatic defrost system works by automatically defrosting at regular intervals eliminating the need to defrost altogether.



LED interior lighting: is a more energy efficient and long lasting way of illuminating the interior of the appliance.



A+++: Appliances with this symbol can reduce energy consumption by a further 30% from the standard A energy rating.



Energy efficiency class D