

# FAB5LDUJ5



|                  |               |
|------------------|---------------|
| Product Family   | Refrigerator  |
| Installation     | Free standing |
| Category         | One Door      |
| Reference width  | Until 60 cm   |
| Reference height | Until 100 cm  |
| Cooling type     | Static        |
| Defrost          | Automatic     |
| Hinge type       | Standard      |
| Hinge position   | Left          |
| EAN code         | 8017709299460 |



## Aesthetics

|                             |                     |                              |         |
|-----------------------------|---------------------|------------------------------|---------|
| Aesthetic                   | 50's Style          | Handle colour                | Chrome  |
| Colour                      | Decorated / Special | Logo colour                  | Chrome  |
| Decoration / Special colour | Union Jack          | Side material                | Steel   |
| Design                      | Rounded             | Side colour                  | Blue    |
| Finishing                   | Glossy              | Logo                         | Applied |
| Material                    | Heat-moulded        | Door shelves profile color   | Chrome  |
| Handle                      | External            | Drawers profile color        | Chrome  |
| Handle type                 | Fixed               | Color of glass shelf profile | Chrome  |

## Refrigerator compartment features



|                           |       |                                 |     |
|---------------------------|-------|---------------------------------|-----|
| No. of adjustable shelves | 2     | Internal light in fridge        | Yes |
| Shelves material          | Glass | Type of internal light (fridge) | LED |


## Refrigerator Inner Door

|   |     |                                  |     |
|---|-----|----------------------------------|-----|
| Number of adjustable door shelves         | 1   | No. of bottle shelves            | 1   |
| Adjustable door shelves with wire support | Yes | Bottle shelves with wire support | Yes |

## Other technical features

|                             |              |
|-----------------------------|--------------|
| Type of temperature control | Electronic   |
| Refrigerant gas type        | R600a        |
| Type of compressor          | Standard     |
| Refrigerant Quantity (g)    | 19 g         |
| Foam agent                  | Cyclopentane |

## Performance / Energy Label - Reg. 2019

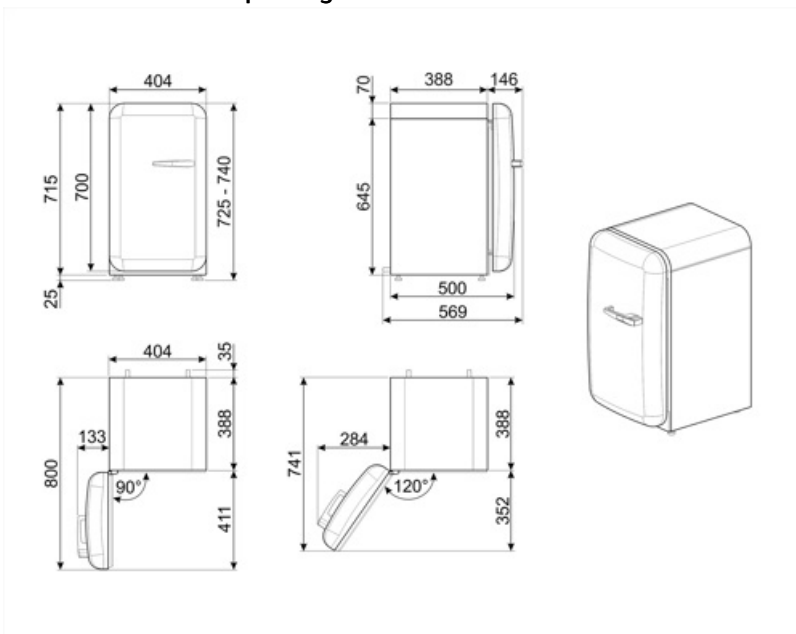
|  |          |  |                  |
|--|----------|--|------------------|
|  |          |  |                  |
| Annual energy consumption  | 61 kWh/a | Sum of the volumes of the chill compartment(s) and the unfrozen compartment(s) | 34 l             |
| Energy efficiency class  | D        | Airborne acoustical noise emissions  | 40 dB(A) re 1 pW |
| Airborne acoustical noise emission class   | C        | Climate class  | SN, N, ST, T     |
| Total net volume   | 34 l     | EI   | 79 %             |

## Electrical Connection

|                              |           |                           |              |
|------------------------------|-----------|---------------------------|--------------|
| Electrical connection rating | 60 W      | Frequency (Hz)            | 50/60 Hz     |
| Current                      | 0,3 A     | Power supply cable length | 100 cm       |
| Voltage (V)                  | 220-240 V | Plug                      | (F;E) Schuko |

## Logistic Information

|  |        |                                      |        |
|--|--------|--------------------------------------|--------|
| Width                                    | 404 mm | Product depth with handle            | 570 mm |
| Depth without handle                     | 500 mm | Product depth with doors open at 90° | 800 mm |
| Height                                   | 725 mm | Spacer depth                         | 30 mm  |
| Product width with maximum doors opening | 707 mm |                                      |        |



---

## Compatible Accessories

---

### KITCABLE90UK

Cable with IEC connector and UK plug

---

## Symbols glossary

---



The automatic defrost system works by automatically defrosting at regular intervals eliminating the need to defrost altogether.



Energy efficiency class D



A+++: Appliances with this symbol can reduce energy consumption by a further 30% from the standard A energy rating.



LED interior lighting: is a more energy efficient and long lasting way of illuminating the interior of the appliance.