

# FAB5LWH5



Product Family	Refrigerator
Installation	Free Standing
Category	One Door
Reference width	Until 60
Reference height	Until 100
Cooling type	Static
Defrost	Automatic
Hinge type	Standard
Door opening flush with the wall	No
Slot-in	No
Hinge position	Left
Reversible door	No
EAN code	8017709299538



## Aesthetics

Aesthetic	Estilo anos '50	Side material	Steel
Colour	White	Side colour	White
Acabamento	Brilhante	Logotipo	Logotipo aplicado
Design	Rounded	Cor do perfil das prateleiras da porta	Chrome
Material	Heat-moulded	Cor do perfil das gavetas	Chrome
Handle kit to be ordered separately	No	Cor do perfil da prateleira de vidro	Chrome
Handle	External	Display	No
Handle type	Fixed	Dispenser	No
Handle colour	Chrome	HomeBar	No
Logo colour	Chrome		

## Refrigerator compartment features



No. of adjustable shelves	2	Life Plus zone-0°C	No
Type of adjustable shelves	Glass	Compartimento baixa temperatura	No
Crisper Cover	No	Internal light in fridge	Yes
Bottle shelf	No	Type of internal light (fridge)	LED

## Refrigerator Inner Door

Number of adjustable door shelves	1	No. of bottle shelves	1
-----------------------------------	---	-----------------------	---

Adjustable door shelves with wire support Yes

Bottle shelves with wire support Yes

## Other Refrigerator features


Natural Plus Blu Light No  
MultiFlow No  
Fan No

Ionizer No  
Tecnologia de titânio No

## Other technical features

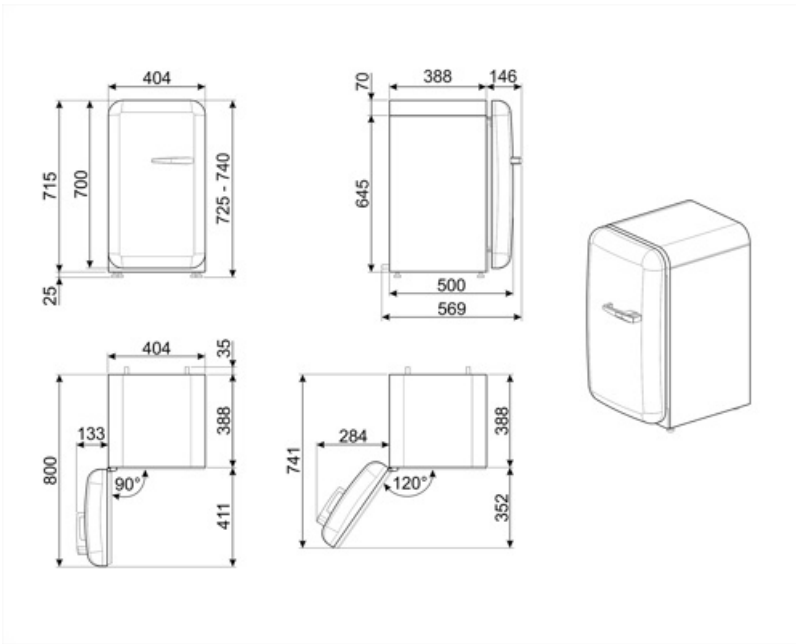
Power on lamp No  
Temperature alarm lamp No  
Door open alarm No  
Temperature Alarm No  
Antibacterial Gasket No  
Type of temperature control Electronic  
Refrigerant gas type R600a  
Type of compressor Standard  
Refrigerant Quantity (gr) 19 g  
Espuma expansiva de isolamento Ciclopentano

## Etiqueta de Desempenho / Energia - Reg. 2019

			
Consumo de energia anual	61 kWh/a	Soma dos volumes do(s) compartimento(s) refrigerado(s) e do(s) compartimento(s) não congelado(s)	34 l
Classe de eficiência energética	D	Airborne acoustical noise emissions	40 dB(A) re 1 pW
Classe de emissão de ruído acústico aerotransportado	C	Classe climática	SN, N, ST, T
Volume líquido total	34 l	EEL	79 %

## Electrical Connection

Plug	(F;E) Schuko	Voltage (V)	220-240 V
Electrical connection rating	60 W	Frequency (Hz)	50/60 Hz
Current	0.3 A	Power supply cable length	100 cm



---

## Compatible Accessories

---

**KITCABLE90UK**

Cabo com conector IEC e plugue RU

---

## Symbols glossary

---



A+++: Os aparelhos com este símbolo podem reduzir o consumo de energia em mais 30% em relação à classificação de energia padrão A.



O sistema de descongelamento automático funciona descongelando automaticamente em intervalos regulares, eliminando a necessidade de descongelar completamente.



Iluminação interior LED: é uma forma mais eficiente em termos energéticos e duradoura de iluminar o interior do aparelho.



Classe de eficiência energética D

---

## Benefit (TT)

---

### Refrigerant gas R600a

Environmentally friendly R600a refrigerant gas contributes to rapid cooling with lower energy consumption

### Climate class

Climatic class SN-T makes the appliance suitable for working at room temperature between 10 °C and 43 °C (50 °F ~ 109 °F)

### External handle

The external handle ensures practicality and ease of use of the refrigerator

### Refrigerator Internal lighting

Interior lighting for perfect visibility of shelves in the refrigerator compartment