

# FAB5RBL5



Product Family	Refrigerator
Installation	Free standing
Category	One Door
Reference width	Until 60 cm
Reference height	Until 100 cm
Cooling type	Static
Defrost	Automatic
Hinge type	Standard
Hinge position	Right
EAN code	8017709299545



## Aesthetics

Aesthetic	50's Style	Logo colour	Chrome
Colour	Black	Side material	Steel
Design	Rounded	Side colour	Black
Finishing	Glossy	Logo	Applied
Material	Heat-moulded	Door shelves profile color	Chrome
Handle	External	Drawers profile color	Chrome
Handle type	Fixed	Color of glass shelf profile	Chrome
Handle colour	Chrome		

## Refrigerator compartment features



No. of adjustable shelves	2	Internal light in fridge	Yes
Shelves material	Glass	Type of internal light (fridge)	LED

## Refrigerator Inner Door

Number of adjustable door shelves	1	No. of bottle shelves	1
Adjustable door shelves with wire support	Yes	Bottle shelves with wire support	Yes

## Other technical features

Type of temperature control	Electronic
Refrigerant gas type	R600a
Type of compressor	Standard
Refrigerant Quantity (gr)	19 g
Foam agent	Cyclopentane

## Performance / Energy Label - Reg. 2019

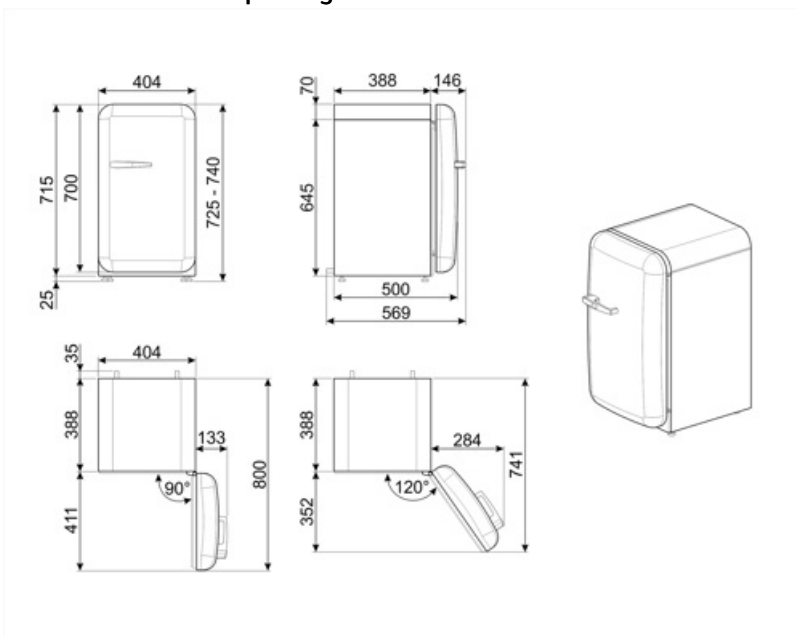
			
Annual energy consumption	61 kWh/a	Sum of the volumes of the chill compartment(s) and the unfrozen compartment(s)	34 l
Energy efficiency class	D	Airborne acoustical noise emissions	40 dB(A) re 1 pW
Airborne acoustical noise emission class	C	Climate class	SN, N, ST, T
Total net volume	34 l	EI	79 %

## Electrical Connection

Electrical connection rating	60 W	Frequency (Hz)	50/60 Hz
Current	0.3 A	Power supply cable length	100 cm
Voltage (V)	220-240 V	Plug	(F;E) Schuko

## Logistic Information

Width	404 mm	Product depth with handle	570 mm
Depth without handle	500 mm	Product depth with doors open at 90°	800 mm
Height	725 mm	Spacer depth	30 mm
Product width with maximum doors opening	707 mm		



---

## Compatible Accessories

---

**KITCABLE90UK**

Cable with IEC connector and UK plug

---

## Alternative products

---



**FAB5RPB5**

**Hinge position:** Right  
Pastel blue



**FAB5RCR5**

**Hinge position:** Right  
Cream



**FAB5RRD5**

**Hinge position:** Right  
Red



**FAB5RDUJ5**

**Hinge position:** Right  
Decorated / Special



**FAB5RSV5**

**Hinge position:** Right  
Silver



**FAB5RPK5**

**Hinge position:** Right  
Pink



**FAB5RWH5**

**Hinge position:** Right  
White



**FAB5RPG5**

**Hinge position:** Right  
Pastel green







**FAB5ROR5**

**Hinge position:** Right  
Orange

---

## Symbols glossary

---

- |  |   |   |   |
|--|---|---|---|
|  | A+++: Appliances with this symbol can reduce energy consumption by a further 30% from the standard A energy rating.   |  | The automatic defrost system works by automatically defrosting at regular intervals eliminating the need to defrost altogether. |
|  | LED interior lighting: is a more energy efficient and long lasting way of illuminating the interior of the appliance. |  | Energy efficiency class D   |