

# FAB5RCR5



Product Family	Refrigerator
Installation	Free standing
Model notes	
Category	One Door
Reference width	Until 60 cm
Reference height	Until 100 cm
Cooling type	Static
Defrost	Automatic
Hinge type	Standard
Hinge position	Right
EAN code	8017709297053



## Aesthetics

Aesthetic	50's Style	Handle type	Fixed
Colour	Cream	Handle colour	Chrome
Design	Rounded	Logo colour	Chrome
Finishing	Glossy	Side material	Steel
Material	Heat-moulded	Side colour	Cream
Handle	External	Logo	Applied

## Refrigerator compartment features



No. of adjustable shelves	2	Internal light in fridge	Yes
Shelves material	Glass	Type of internal light (fridge)	LED

## Refrigerator Inner Door


Number of adjustable door shelves	1	No. of bottle shelves	1
Adjustable door shelves with wire support	Yes	Bottle shelves with wire support	Yes

## Other technical features

Type of temperature control	Electronic
Refrigerant gas type	R600a

Type of compressor	Standard
Refrigerant Quantity (g)	19 g
Foam agent	Cyclopentane

## Performance / Energy Label - Reg. 2019

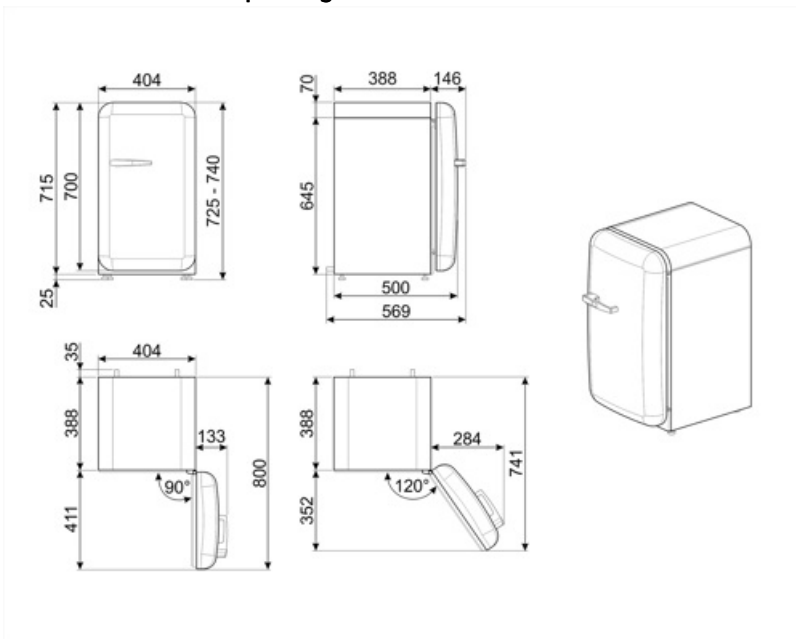
			
Annual energy consumption	61 kWh/a	Sum of the volumes of the chill compartment(s) and the unfrozen compartment(s)	34 l
Energy efficiency class	D	Airborne acoustical noise emissions	40 dB(A) re 1 pW
Airborne acoustical noise emission class	C	Climate class	SN, N, ST, T
Total net volume	34 l	EI	79 %

## Electrical Connection

Electrical connection rating	60 W	Frequency (Hz)	50/60 Hz
Current	0,3 A	Power supply cable length	200 cm
Voltage (V)	220-240 V	Plug	(F;E) Schuko

## Logistic Information

Width	404 mm	Product depth with handle	570 mm
Depth without handle	500 mm	Product depth with doors open at 90°	800 mm
Height	725 mm	Spacer depth	30 mm
Product width with maximum doors opening	707 mm		



---

## Compatible Accessories

---

### KITCABLE90UK

Cable with IEC connector and UK plug

---

## Alternative products

---



**FAB5RPB5**

**Hinge position:** Right  
Pastel blue



**FAB5RPK5**

**Hinge position:** Right  
Pink



**FAB5RBL5**

**Hinge position:** Right  
Black



**FAB5RWH5**

**Hinge position:** Right  
White



**FAB5RRD5**

**Hinge position:** Right  
Red



**FAB5RPG5**

**Hinge position:** Right  
Pastel green



**FAB5RDUJ5**

**Hinge position:** Right  
Decorated / Special



**FAB5ROR5**

**Hinge position:** Right  
Orange



**FAB5RSV5**

**Hinge position:** Right  
Silver

---

## Symbols glossary

---



The automatic defrost system works by automatically defrosting at regular intervals eliminating the need to defrost altogether.



LED interior lighting: is a more energy efficient and long lasting way of illuminating the interior of the appliance.



A+++: Appliances with this symbol can reduce energy consumption by a further 30% from the standard A energy rating.



Energy efficiency class D