

# FAB5RCR5



Product Family	Refrigerator
Installation	Free Standing
Category	One Door
Reference width	Until 60
Reference height	Until 100
Cooling type	Static
Defrost	Automatic
Hinge type	Standard
Door opening flush with the wall	No
Slot-in	No
Hinge position	Right
Reversible door	No
EAN code	8017709297053



## Aesthetics

Aesthetic	Estilo anos '50	Handle colour	Chrome
Colour	Cream	Logo colour	Chrome
Acabamento	Brilhante	Side material	Steel
Design	Rounded	Side colour	Cream
Material	Heat-moulded	Logotipo	Logotipo aplicado
Handle kit to be ordered separately	No	Display	No
Handle	External	Dispenser	No
Handle type	Fixed		

## Refrigerator compartment features



No. of adjustable shelves	2	Life Plus zone-0°C	No
Type of adjustable shelves	Glass	Compartimento baixa temperatura	No
Crisper Cover	No	Internal light in fridge	Yes
Bottle shelf	No	Type of internal light (fridge)	LED

## Refrigerator Inner Door

Number of adjustable door shelves	1	No. of bottle shelves	1
Adjustable door shelves with wire support	Yes	Bottle shelves with wire support	Yes


## Other Refrigerator features

Natural Plus Blu Light	No	Ionizer	No
MultiFlow	No	Tecnologia de titânio	No
Fan	No		

## Other technical features

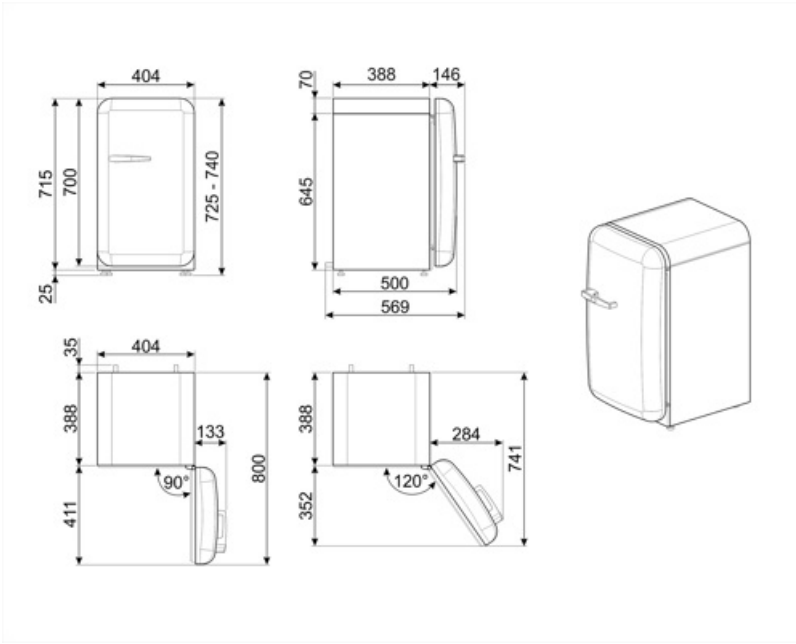
Power on lamp	No
Temperature alarm lamp	No
Door open alarm	No
Temperature Alarm	No
Antibacterial Gasket	No
Type of temperature control	Electronic
Refrigerant gas type	R600a
Type of compressor	Standard
Refrigerant Quantity (gr)	19 g
Espuma expansiva de isolamento	Ciclopentano

## Etiqueta de Desempenho / Energia - Reg. 2019

 Consumo de energia anual	61 kWh/a	Soma dos volumes do(s) compartimento(s) refrigerado(s) e do(s) compartimento(s) não congelado(s)	34 l
Classe de eficiência energética	D	Airborne acoustical noise emissions	40 dB(A) re 1 pW
Classe de emissão de ruído acústico aerotransportado	C	Classe climática	SN, N, ST, T
Volume líquido total	34 l	EEl	79 %

## Electrical Connection

Plug	(F;E) Schuko	Voltage (V)	220-240 V
Electrical connection rating	60 W	Frequency (Hz)	50/60 Hz
Current	0,3 A	Power supply cable length	200 cm



---

## Compatible Accessories

---





**KITCABLE90UK**

Cabo com conector IEC e plugue RU

---

## Symbols glossary

---

- |  |  |   |  |
|--|--|---|--|
|  | A+++: Os aparelhos com este símbolo podem reduzir o consumo de energia em mais 30% em relação à classificação de energia padrão A. |  | O sistema de descongelamento automático funciona descongelando automaticamente em intervalos regulares, eliminando a necessidade de descongelar completamente. |
|  | Iluminação interior LED: é uma forma mais eficiente em termos energéticos e duradoura de iluminar o interior do aparelho.          |  | Classe de eficiência energética D  |

---

## Benefit (TT)

---

### **Refrigerant gas R600a**

Environmentally friendly R600a refrigerant gas contributes to rapid cooling with lower energy consumption

### **Climate class**

Climatic class SN-T makes the appliance suitable for working at room temperature between 10 °C and 43 °C (50 °F ~ 109 °F)

### **External handle**

The external handle ensures practicality and ease of use of the refrigerator

### **Refrigerator Internal lighting**

Interior lighting for perfect visibility of shelves in the refrigerator compartment