

FAB5RDG05



| | |
|------------------|---------------|
| Product Family | Refrigerator |
| Installation | Free standing |
| Category | One Door |
| Reference width | Until 60 |
| Reference height | Until 100 |
| Cooling type | Static |
| Defrost | Automatic |
| Hinge type | Standard |
| Hinge position | Right |
| EAN code | 8017709299552 |



Aesthetics

| | | | |
|---------------|--------------|------------------------------|----------------|
| Aesthetic | 50's Style | Logo colour | Gold-Swarovski |
| Colour | Gold | Side material | Steel |
| Finishing | Glossy | Side colour | Gold |
| Design | Rounded | Logo | Applied |
| Material | Heat-moulded | Door shelves profile color | Chrome |
| Handle | External | Drawers profile color | Chrome |
| Handle type | Fixed | Color of glass shelf profile | Chrome |
| Handle colour | Gold | | |

Refrigerator compartment features



| | | | |
|----------------------------|-------|---------------------------------|-----|
| No. of adjustable shelves | 2 | Internal light in fridge | Yes |
| Type of adjustable shelves | Glass | Type of internal light (fridge) | LED |


Refrigerator Inner Door

| | | | |
|---|-----|----------------------------------|-----|
| Number of adjustable door shelves | 1 | No. of bottle shelves | 1 |
| Adjustable door shelves with wire support | Yes | Bottle shelves with wire support | Yes |

Other technical features

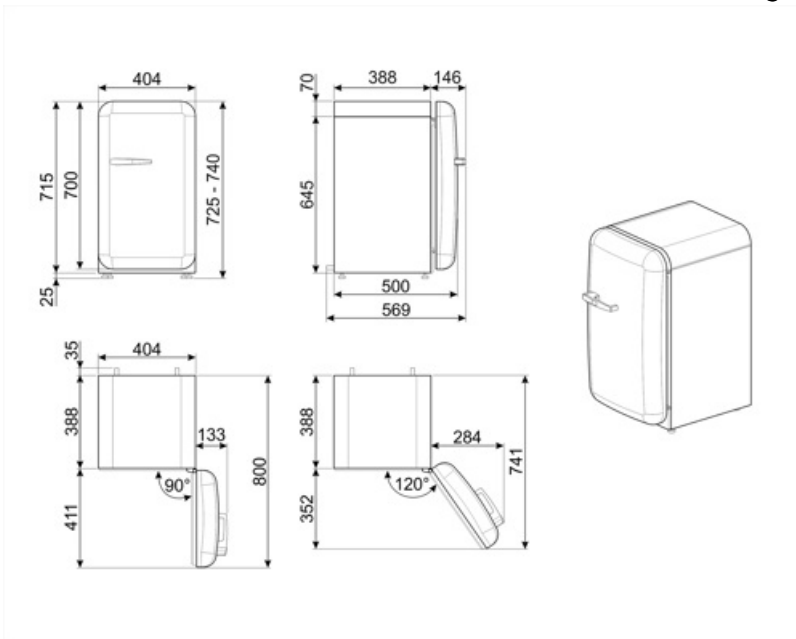
| | |
|-----------------------------|--------------|
| Type of temperature control | Electronic |
| Refrigerant gas type | R600a |
| Type of compressor | Standard |
| Refrigerant Quantity (gr) | 19 g |
| Foam agent | Cyclopentane |

Performance / Energy Label - Reg. 2019

| | | | |
|--|----------|--|------------------|
|  Annual energy consumption | 61 kWh/a | Sum of the volumes of the chill compartment(s) and the unfrozen compartment(s) | 34 l |
| Energy efficiency class | D | Airborne acoustical noise emissions | 40 dB(A) re 1 pW |
| Airborne acoustical noise emission class | C | Climate class | SN, N, ST, T |
| Total net volume | 34 l | EI | 79 % |

Electrical Connection

| | | | |
|------------------------------|--------------|---------------------------|-----------|
| Plug | (F;E) Schuko | Voltage (V) | 220-240 V |
| Electrical connection rating | 60 W | Frequency (Hz) | 50/60 Hz |
| Current | 0,3 A | Power supply cable length | 100 cm |



Not included accessories

KITCABLE90UK

Cable with IEC connector and UK plug

Symbols glossary (TT)



The automatic defrost system works by automatically defrosting at regular intervals eliminating the need to defrost altogether.



LED interior lighting: is a more energy efficient and long lasting way of illuminating the interior of the appliance.



A+++: Appliances with this symbol can reduce energy consumption by a further 30% from the standard A energy rating.



Energy efficiency class D