

FAB5RDUJ3



Product Family	Refrigerator
Installation	Free standing
Category	One Door
Cooling type	Static
Defrost	Automatic
Hinge type	Standard
Hinge position	Right
EAN code	8017709274467



Aesthetics

Aesthetic	50's Style	Side material	Steel
Colour	Decorated / Special	Side colour	Blue
Design	Rounded	Logo	Applied
Finishing	Glossy	Door shelves profile color	Chrome
Material	Heat-moulded	Drawers profile color	Chrome
Handle	External	Color of glass shelf profile	Chrome
Handle type	Fixed	Display position	
Handle colour	Chrome	Alternative colours available	Orange, Pastel blue, White, Black, Cream, Pink, Red, Silver, Pastel green, Decorated / Special
Logo colour	Chrome		

Refrigerator compartment features



No. of adjustable shelves	2	Internal light in fridge	Yes
Shelves material	Glass	Type of internal light (fridge)	LED

Refrigerator Inner Door


Number of adjustable door shelves	1	No. of bottle shelves	1
Adjustable door shelves with wire support	Yes	Bottle shelves with wire support	Yes

Other technical features

Water network connection

Type of temperature control	Electronic
Refrigerant gas type	R600a
Type of compressor	Standard
Refrigerant Quantity (g)	19 g
Foam agent	Cyclopentane

Performance / Energy Label - Reg. 2019

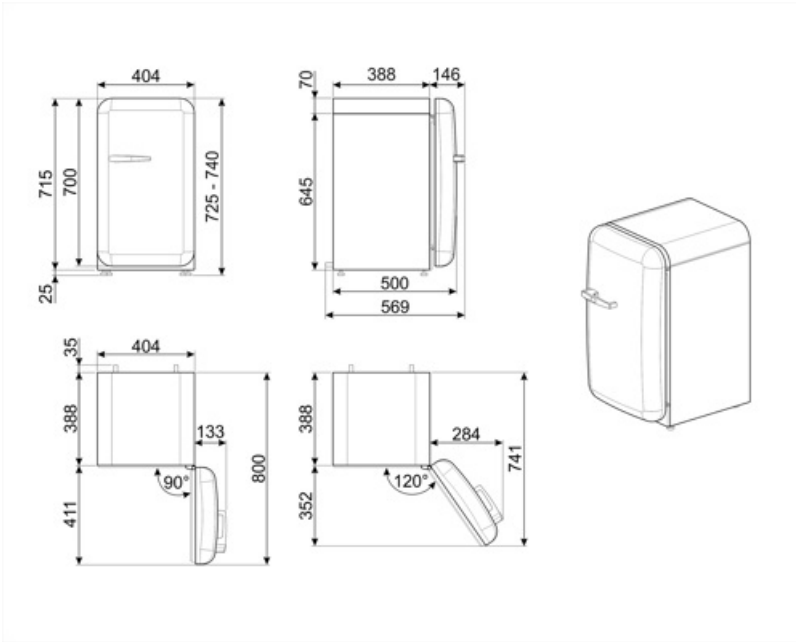
 Annual energy consumption	61 kWh/a	Sum of the volumes of the chill compartment(s) and the unfrozen compartment(s)	34 l
Energy efficiency class	D	Airborne acoustical noise emissions	40 dB(A) re 1 pW
Airborne acoustical noise emission class	C	Climate class	SN, N, ST, T
Total net volume	34 l	EEL	79 %

Electrical Connection

Electrical connection rating	60 W	Frequency (Hz)	50/60 Hz
Current	0.22 A	Power supply cable length	100 cm
Voltage (V)	220-240 V	Plug	(F;E) Schuko

Logistic Information

Width	404 mm	Product depth with handle	570 mm
Depth without handle	500 mm	Product depth with doors open at 90°	800 mm
Height	725 mm	Spacer depth	30 mm
Product width with maximum doors opening	707 mm		







Compatible Accessories

KITCABLE90UK

Cable with IEC connector and UK plug

Symbols glossary

- | | | | |
|--|---|---|---|
|  | A+++: Appliances with this symbol can reduce energy consumption by a further 30% from the standard A energy rating. |  | The automatic defrost system works by automatically defrosting at regular intervals eliminating the need to defrost altogether. |
|  | LED interior lighting: is a more energy efficient and long lasting way of illuminating the interior of the appliance. |  | Energy efficiency class D |