

# FAB5RPG3



<b>Product Family</b>	Refrigerator
<b>Installation</b>	Free standing
<b>Category</b>	One Door
<b>Cooling type</b>	Static
<b>Defrost</b>	Automatic
<b>Hinge type</b>	Standard
<b>Hinge position</b>	Right
<b>EAN code</b>	8017709274382



## Aesthetics

<b>Aesthetic</b>	50's Style	<b>Side material</b>	Steel
<b>Colour</b>	Pastel green	<b>Side colour</b>	Pastel green
<b>Design</b>	Rounded	<b>Logo</b>	Applied
<b>Finishing</b>	Glossy	<b>Door shelves profile color</b>	Chrome
<b>Material</b>	Heat-moulded	<b>Drawers profile color</b>	Chrome
<b>Handle</b>	External	<b>Color of glass shelf profile</b>	Chrome
<b>Handle type</b>	Fixed	<b>Display position</b>	
<b>Handle colour</b>	Chrome	<b>Alternative colours available</b>	Orange, Pastel blue, White, Black, Cream, Pink, Red, Silver, Pastel green, Decorated / Special
<b>Logo colour</b>	Chrome		

## Refrigerator compartment features



<b>No. of adjustable shelves</b>	2	<b>Internal light in fridge</b>	Yes
<b>Type of adjustable shelves</b>	Glass	<b>Type of internal light (fridge)</b>	LED

## Refrigerator Inner Door

<b>Number of adjustable door shelves</b>	1	<b>No. of bottle shelves</b>	1
		<b>Bottle shelves with wire support</b>	Yes


Adjustable door shelves Yes  
with wire support

## Other technical features

### Water network connection

Type of temperature control	Electronic
Refrigerant gas type	R600a
Type of compressor	Standard
Refrigerant Quantity (g)	19 g
Foam agent	Cyclopentane

## Performance / Energy Label - Reg. 2019

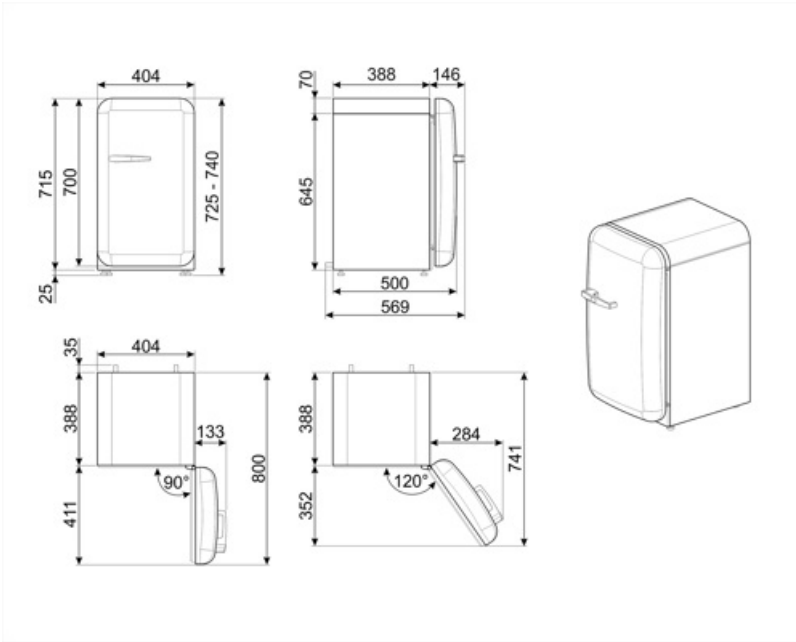
			
Annual energy consumption	61 kWh/a	Sum of the volumes of the chill compartment(s) and the unfrozen compartment(s)	34 l
Energy efficiency class	D	Airborne acoustical noise emissions	40 dB(A) re 1 pW
Airborne acoustical noise emission class	C	Climate class	SN, N, ST, T
Total net volume	34 l	EEl	79 %

## Electrical Connection

Electrical connection rating	60 W	Frequency (Hz)	50/60 Hz
Current	0,22 A	Power supply cable length	100 cm
Voltage (V)	220-240 V	Plug	(F;E) Schuko

## Logistic Information

Width	404 mm	Product depth with handle	570 mm
Depth without handle	500 mm	Product depth with doors open at 90°	800 mm
Height	725 mm	Spacer depth	30 mm
Product width with maximum doors opening	707 mm		



---

## Compatible Accessories

---

### KITCABLE90UK

Cable with IEC connector and UK plug

---

## Symbols glossary

---



The automatic defrost system works by automatically defrosting at regular intervals eliminating the need to defrost altogether.



Energy efficiency class D



A+++: Appliances with this symbol can reduce energy consumption by a further 30% from the standard A energy rating.



LED interior lighting: is a more energy efficient and long lasting way of illuminating the interior of the appliance.