

FAB5RRD5



Product Family	Refrigerator
Installation	Free Standing
Category	One Door
Reference width	Until 60
Reference height	Until 100
Cooling type	Static
Defrost	Automatic
Hinge type	Standard
Door opening flush with the wall	No
Slot-in	No
Hinge position	Right
Reversible door	No
EAN code	8017709299613



Aesthetics

Aesthetic	Estilo anos '50	Side material	Steel
Colour	Red	Side colour	Red
Acabamento	Brilhante	Logotipo	Logotipo aplicado
Design	Rounded	Cor do perfil das prateleiras da porta	Chrome
Material	Heat-moulded	Cor do perfil das gavetas	Chrome
Handle kit to be ordered separately	No	Cor do perfil da prateleira de vidro	Chrome
Handle	External	Display	No
Handle type	Fixed	Dispenser	No
Handle colour	Chrome	HomeBar	No
Logo colour	Chrome		

Refrigerator compartment features



No. of adjustable shelves	2	Life Plus zone-0°C	No
Type of adjustable shelves	Glass	Compartimento baixa temperatura	No
Crisper Cover	No	Internal light in fridge	Yes
Bottle shelf	No	Type of internal light (fridge)	LED

Refrigerator Inner Door

Number of adjustable door shelves	1	No. of bottle shelves	1
-----------------------------------	---	-----------------------	---

Adjustable door shelves with wire support Yes

Bottle shelves with wire support Yes

Other Refrigerator features


Natural Plus Blu Light No
MultiFlow No
Fan No

Ionizer No
Tecnologia de titânio No

Other technical features

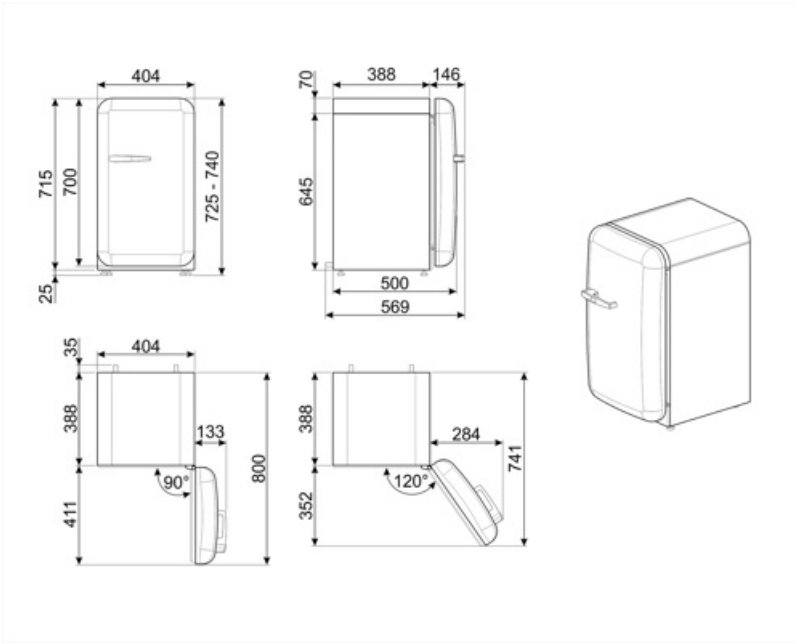
Power on lamp No
Temperature alarm lamp No
Door open alarm No
Temperature Alarm No
Antibacterial Gasket No
Type of temperature control Electronic
Refrigerant gas type R600a
Type of compressor Standard
Refrigerant Quantity (gr) 19 g
Espuma expansiva de isolamento Ciclopentano

Etiqueta de Desempenho / Energia - Reg. 2019

			
Consumo de energia anual	61 kWh/a	Soma dos volumes do(s) compartimento(s) refrigerado(s) e do(s) compartimento(s) não congelado(s)	34 l
Classe de eficiência energética	D	Airborne acoustical noise emissions	40 dB(A) re 1 pW
Classe de emissão de ruído acústico aerotransportado	C	Classe climática	SN, N, ST, T
Volume líquido total	34 l	EI	79 %

Electrical Connection

Plug	(F;E) Schuko	Voltage (V)	220-240 V
Electrical connection rating	60 W	Frequency (Hz)	50/60 Hz
Current	0,3 A	Power supply cable length	100 cm



Compatible Accessories

KITCABLE90UK

Cabo com conector IEC e plugue RU

Symbols glossary



O sistema de descongelamento automático funciona descongelando automaticamente em intervalos regulares, eliminando a necessidade de descongelar completamente.



Classe de eficiência energética D



A+++ : Os aparelhos com este símbolo podem reduzir o consumo de energia em mais 30% em relação à classificação de energia padrão A.



Iluminação interior LED: é uma forma mais eficiente em termos energéticos e duradoura de iluminar o interior do aparelho.

Benefit (TT)

Refrigerant gas R600a

Environmentally friendly R600a refrigerant gas contributes to rapid cooling with lower energy consumption

Climate class

Climatic class SN-T makes the appliance suitable for working at room temperature between 10 °C and 43 °C (50 °F ~ 109 °F)

External handle

The external handle ensures practicality and ease of use of the refrigerator

Refrigerator Internal lighting

Interior lighting for perfect visibility of shelves in the refrigerator compartment