

FAB5ULCR3



Product Family	Refrigerator
Installation	Free standing
Category	One Door
Defrost	Automatic
Hinge position	Left
EAN code	8017709289768



Aesthetics

Aesthetic	50's Style	Side material	Steel
Colour	Cream	Side colour	Cream
Finishing	Glossy	Logo	Applied
Material	Heat-moulded	Alternative colours available	White, Black, Cream, Red

Refrigerator compartment features



No. of adjustable shelves	2	Internal light in fridge	Yes
Shelves material	Wire	Type of internal light (fridge)	LED

Refrigerator Inner Door

Number of adjustable door shelves	1	No. of bottle shelves	1
Adjustable door shelves with wire support	Yes	Bottle shelves with wire support	Yes

Other technical features

Type of temperature control	Electro-mechanical
No. of compressors	1
Refrigerant gas type	R600a
No. of evaporators	1

Foam agent

Cyclopentane

Performance / Energy Label - Reg. 2019

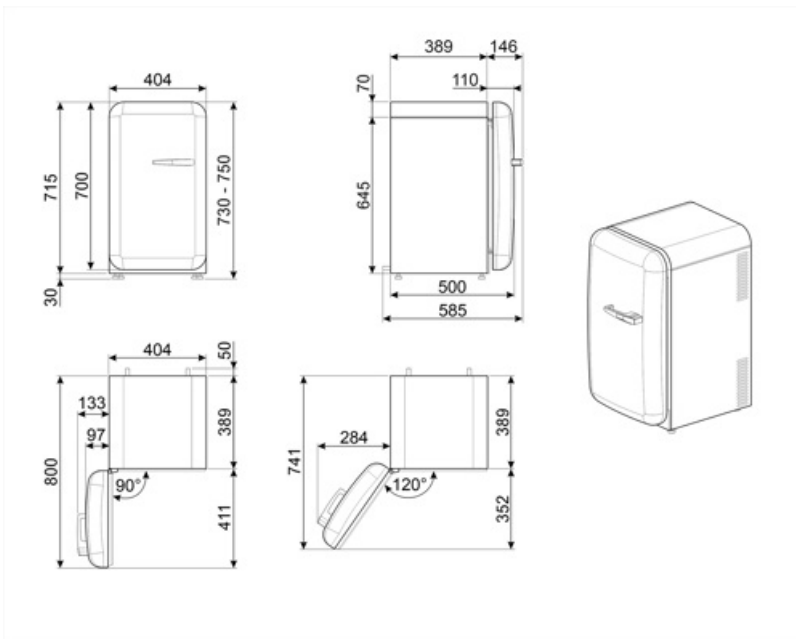
Airborne acoustical noise emissions	40 dB(A) re 1 pW	Climate class	SN, N, ST, T
--	------------------	----------------------	--------------

Electrical Connection

Current	0.89 A	Power supply cable length	70 7/8 "
Voltage (V)	110 V	Plug	(B) NEMA 5-15P
Frequency (Hz)	60 Hz		

Logistic Information

Width	15 7/8 "	Product width with maximum doors opening	27 13/16 "
Depth without handle	19 11/16 "	Product depth with handle	22 7/16 "
Height	29 1/8 "	Product depth with doors open at 90°	31 1/2 "



Alternative products



FAB5ULRD3

Hinge position: Left
Red



FAB5ULWH3

Hinge position: Left
White



FAB5ULYW3

Hinge position: Left
Yellow



FAB5ULBL3

Hinge position: Left
Black



FAB5ULOR3

Hinge position: Left
Orange

Symbols glossary



The automatic defrost system works by automatically defrosting at regular intervals eliminating the need to defrost altogether.



LED interior lighting: is a more energy efficient and long lasting way of illuminating the interior of the appliance.



A+++ : Appliances with this symbol can reduce energy consumption by a further 30% from the standard A energy rating.