

# FAB5ULCR3



Product family	Refrigerator
Installation	Freestanding
Category	Single door
Defrost	Automatic
Hinge position	Left
EAN code	8017709289768



## Aesthetic

Aesthetics	Retro-Style	Side material	Steel
Color	Cream	Side color	Cream
Finishing	Glossy	Logo	Applied
Material	Thermo-formed	Available colors	White, Black, Cream, Red

## Refrigerator compartment features



No. of adjustable shelves	2	Refrigerator lighting	Yes
Shelves material	Wire	Refrigerator lighting	LED

## Refrigerator Inner Door

Number of adjustable door shelves	1	No. of bottle shelves	1
Adjustable door bins with wire support	Yes	Door bin with wire support	Yes

## Other technical features

Temperature setting type	Electro-mechanical
No. of compressors	1
Refrigerant gas type	R600a
No. of evaporators	1
Foam agent	Cyclopentane

## Performance / Energy Label

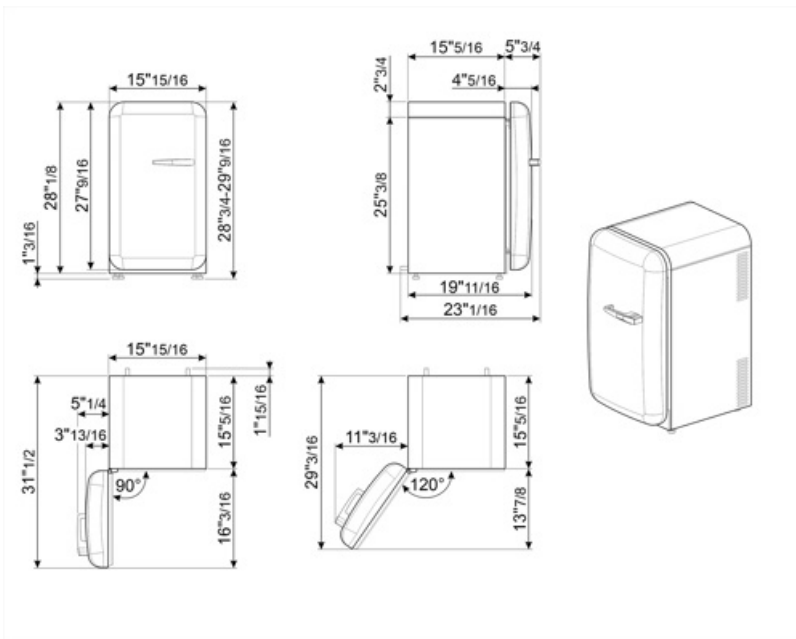
Noise level	40 dB(A) re 1 pW	Climatic class	SN, N, ST, T
-------------	------------------	----------------	--------------

## Electrical Connection

Current	0,89 A	Power cord length	70 7/8 "
Voltage (V)	110 V	Plug	(B) NEMA 5-15P
Frequency (Hz)	60 Hz		

## Logistic Information

Width	15 7/8 "	Width with doors open at 90°	27 13/16 "
Depth without handle	19 11/16 "	Product depth (handle included)	22 7/16 "
Height	29 1/8 "	Depth with door open at 90°	31 1/2 "



---

## Alternative products

---



**FAB5ULRD3**

**Hinge position:** Left  
Red



**FAB5ULWH3**

**Hinge position:** Left  
White



**FAB5ULYW3**

**Hinge position:** Left  
Yellow



**FAB5ULBL3**

**Hinge position:** Left  
Black



**FAB5ULOR3**

**Hinge position:** Left  
Orange

---

## Symbols glossary

---



A+++: Appliances with this symbol can reduce energy consumption by a further 30% from the standard A energy rating.



The automatic defrost system works by automatically defrosting at regular intervals eliminating the need to defrost altogether.



LED interior lighting: is a more energy efficient and long lasting way of illuminating the interior of the appliance.