

# FAB5URBL3



|                |               |
|----------------|---------------|
| Product Family | Refrigerator  |
| Installation   | Free standing |
| Category       | One Door      |
| Defrost        | Automatic     |
| Hinge position | Right         |
| EAN code       | 8017709289799 |



## Aesthetics

|           |              |               |         |
|-----------|--------------|---------------|---------|
| Aesthetic | 50's Style   | Side material | Steel   |
| Colour    | Black        | Side colour   | Black   |
| Finishing | Glossy       | Logo          | Applied |
| Material  | Heat-moulded |               |         |

## Refrigerator compartment features



|                           |      |                                 |     |
|---------------------------|------|---------------------------------|-----|
| No. of adjustable shelves | 2    | Internal light in fridge        | Yes |
| Shelves material          | Wire | Type of internal light (fridge) | LED |

## Refrigerator Inner Door

|   |     |                                  |     |
|---|-----|----------------------------------|-----|
| Number of adjustable door shelves         | 1   | No. of bottle shelves            | 1   |
| Adjustable door shelves with wire support | Yes | Bottle shelves with wire support | Yes |

## Other technical features

|                             |                    |
|-----------------------------|--------------------|
| Type of temperature control | Electro-mechanical |
| No. of compressors          | 1                  |
| Refrigerant gas type        | R600a              |
| No. of evaporators          | 1                  |

Foam agent

Cyclopentane

## Performance / Energy Label - Reg. 2019

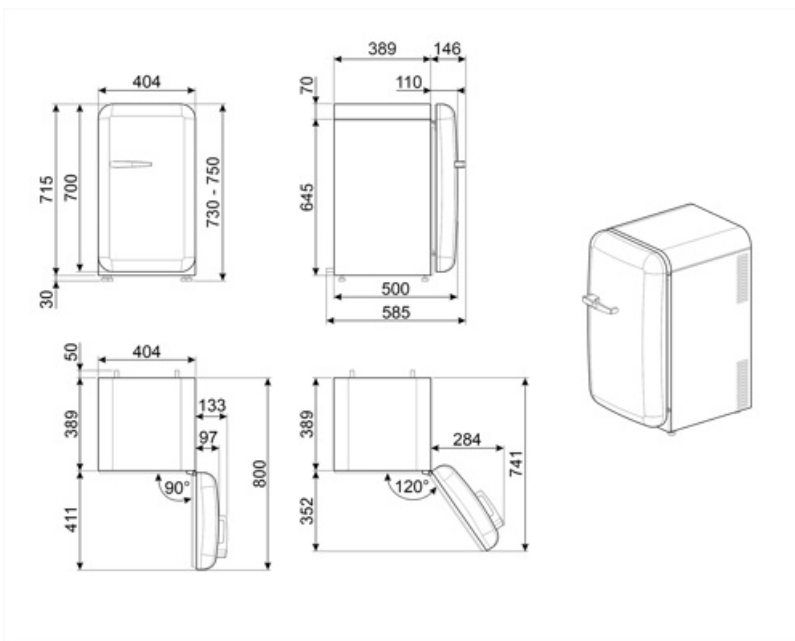
|  |                  |                      |              |
|--|------------------|----------------------|--------------|
| <b>Airborne acoustical noise emissions</b> | 40 dB(A) re 1 pW | <b>Climate class</b> | SN, N, ST, T |
|--|------------------|----------------------|--------------|

## Electrical Connection

|                       |        |                                  |                |
|-----------------------|--------|----------------------------------|----------------|
| <b>Current</b>        | 0,89 A | <b>Power supply cable length</b> | 70 7/8 "       |
| <b>Voltage (V)</b>    | 110 V  | <b>Plug</b>                      | (B) NEMA 5-15P |
| <b>Frequency (Hz)</b> | 60 Hz  |                                  |                |

## Logistic Information

|                             |            |   |            |
|-----------------------------|------------|---|------------|
| <b>Width</b>                | 15 7/8 "   | <b>Product width with maximum doors opening</b> | 27 13/16 " |
| <b>Depth without handle</b> | 19 11/16 " | <b>Product depth with handle</b>                | 22 7/16 "  |
| <b>Height</b>               | 29 1/8 "   | <b>Product depth with doors open at 90°</b>     | 31 1/2 "   |



---

## Alternative products

---



**FAB5UROR3**

**Hinge position:** Right  
**Orange**



**FAB5URCR3**

**Hinge position:** Right  
**Cream**



**FAB5URWH3**

**Hinge position:** Right  
**White**



**FAB5URYW3**

**Hinge position:** Right  
**Yellow**



**FAB5URDGME3**

**Hinge position:** Right



**FAB5URDGC3**

**Hinge position:** Right



**FAB5URPG3**

**Hinge position:** Right  
**Pastel green**



**FAB5URDCA3**

**Hinge position:** Right



**FAB5URRD3**

**Hinge position:** Right  
**Red**

---

## Symbols glossary

---



The automatic defrost system works by automatically defrosting at regular intervals eliminating the need to defrost altogether.



LED interior lighting: is a more energy efficient and long lasting way of illuminating the interior of the appliance.



A+++ : Appliances with this symbol can reduce energy consumption by a further 30% from the standard A energy rating.