

# FAB5URCR3



Product Family	Refrigerator
Installation	Free standing
Category	One Door
Defrost	Automatic
Hinge position	Right
EAN code	8017709289744



## Aesthetics

Aesthetic	50's Style	Side material	Steel
Colour	Cream	Side colour	Cream
Finishing	Glossy	Logo	Applied
Material	Heat-moulded		

## Refrigerator compartment features



No. of adjustable shelves	2	Internal light in fridge	Yes
Shelves material	Wire	Type of internal light (fridge)	LED

## Refrigerator Inner Door

Number of adjustable door shelves	1	No. of bottle shelves	1
Adjustable door shelves with wire support	Yes	Bottle shelves with wire support	Yes

## Other technical features

Type of temperature control	Electro-mechanical
No. of compressors	1
Refrigerant gas type	R600a
No. of evaporators	1

Foam agent

Cyclopentane

## Performance / Energy Label - Reg. 2019

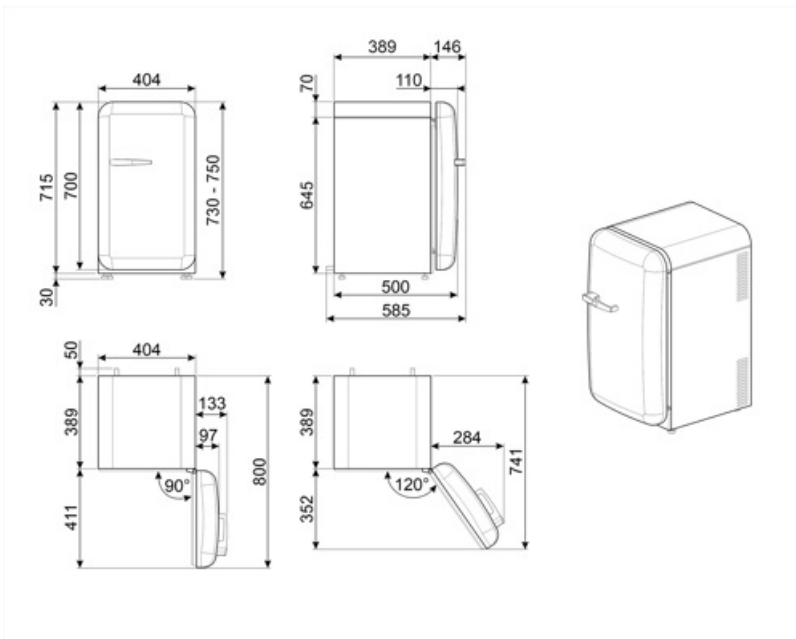
<b>Airborne acoustical noise emissions</b>	40 dB(A) re 1 pW	<b>Climate class</b>	SN, N, ST, T
--	------------------	----------------------	--------------

## Electrical Connection

<b>Current</b>	0,89 A	<b>Power supply cable length</b>	70 7/8 "
<b>Voltage (V)</b>	110 V	<b>Plug</b>	(B) NEMA 5-15P
<b>Frequency (Hz)</b>	60 Hz		

## Logistic Information

<b>Width</b>	15 7/8 "	<b>Product width with maximum doors opening</b>	27 13/16 "
<b>Depth without handle</b>	19 11/16 "	<b>Product depth with handle</b>	22 7/16 "
<b>Height</b>	29 1/8 "	<b>Product depth with doors open at 90°</b>	31 1/2 "



---

## Alternative products

---



**FAB5UROR3**

**Hinge position:** Right  
**Orange**



**FAB5URDGC3**

**Hinge position:** Right



**FAB5URBL3**

**Hinge position:** Right  
**Black**



**FAB5URPG3**

**Hinge position:** Right  
**Pastel green**



**FAB5URWH3**

**Hinge position:** Right  
**White**



**FAB5URDCA3**

**Hinge position:** Right



**FAB5URYW3**

**Hinge position:** Right  
**Yellow**



**FAB5URRD3**

**Hinge position:** Right  
**Red**



**FAB5URDGME3**

**Hinge position:** Right

---

## Symbols glossary

---



The automatic defrost system works by automatically defrosting at regular intervals eliminating the need to defrost altogether.



LED interior lighting: is a more energy efficient and long lasting way of illuminating the interior of the appliance.



A+++ Appliances with this symbol can reduce energy consumption by a further 30% from the standard A energy rating.