

FAB5URCR3



Product family	Refrigerator
Installation	Freestanding
Category	Single door
Defrost	Automatic
Hinge position	Right
EAN code	8017709289744



Aesthetic

Aesthetics	Retro-Style	Side material	Steel
Color	Cream	Side color	Cream
Finishing	Glossy	Logo	Applied
Material	Thermo-formed		

Refrigerator compartment features



No. of adjustable shelves	2	Refrigerator lighting	Yes
Shelves material	Wire	Refrigerator lighting	LED

Refrigerator Inner Door

Number of adjustable door shelves	1	No. of bottle shelves	1
Adjustable door bins with wire support	Yes	Door bin with wire support	Yes

Other technical features

Temperature setting type	Electro-mechanical
No. of compressors	1
Refrigerant gas type	R600a
No. of evaporators	1
Foam agent	Cyclopentane

Performance / Energy Label

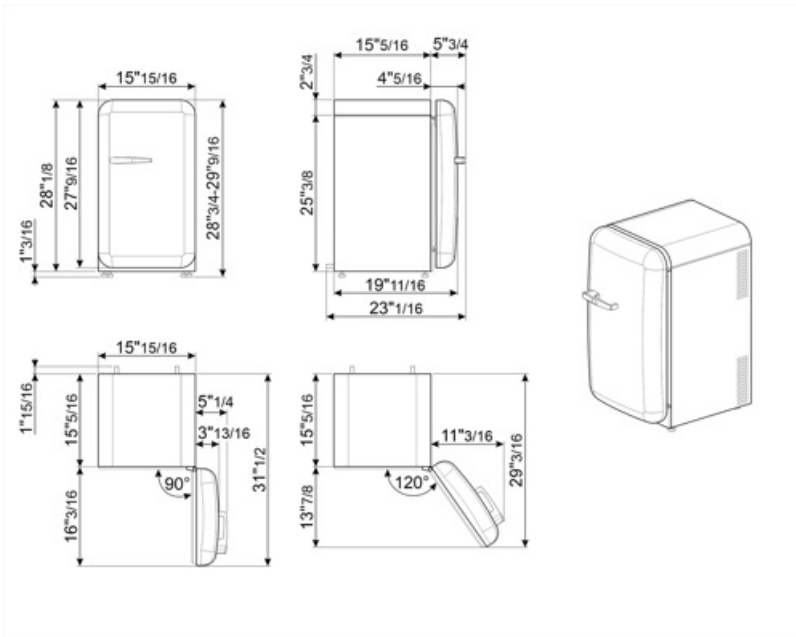
Noise level	40 dB(A) re 1 pW	Climatic class	SN, N, ST, T
-------------	------------------	----------------	--------------

Electrical Connection

Current	0,89 A	Power cord length	70 7/8 "
Voltage (V)	110 V	Plug	(B) NEMA 5-15P
Frequency (Hz)	60 Hz		

Logistic Information

Width	15 7/8 "	Width with doors open at 90°	27 13/16 "
Depth without handle	19 11/16 "	Product depth (handle included)	22 7/16 "
Height	29 1/8 "	Depth with door open at 90°	31 1/2 "



Alternative products



FAB5UROR3

Hinge position: Right
Orange



FAB5URBL3

Hinge position: Right
Black



FAB5URWH3

Hinge position: Right
White



FAB5URYW3

Hinge position: Right
Yellow



FAB5URDGME3

Hinge position: Right



FAB5URDGC3

Hinge position: Right



FAB5URPG3

Hinge position: Right
Pastel green



FAB5URDCA3

Hinge position: Right



FAB5URRD3

Hinge position: Right
Red

Symbols glossary



A+++: Appliances with this symbol can reduce energy consumption by a further 30% from the standard A energy rating.



The automatic defrost system works by automatically defrosting at regular intervals eliminating the need to defrost altogether.



LED interior lighting: is a more energy efficient and long lasting way of illuminating the interior of the appliance.