

# FAB5URDOVOW3



Product Family	Refrigerator
Installation	Free standing
Category	One Door
Defrost	Automatic
Hinge position	Right
EAN code	8017709346256



## Aesthetics

Aesthetic	50's Style	Material	Heat-moulded
Colour	White	Collaborations	OVO
Decoration / Special colour	OVO	Side material	Steel
Finishing	Glossy	Logo	Applied

## Refrigerator compartment features



No. of adjustable shelves	2	Internal light in fridge	Yes
Shelves material	Wire	Type of internal light (fridge)	LED
No. of lights refrigerator compartment	1		

## Refrigerator Inner Door

Number of adjustable door shelves	1	No. of bottle shelves	1
Adjustable door shelves with wire support	Yes	Bottle shelves with wire support	Yes

## Other technical features

Type of temperature control	Electro-mechanical
No. of compressors	1

Refrigerant gas type	R600a
No. of evaporators	1
Foam agent	Cyclopentane

## Performance / Energy Label - Reg. 2019

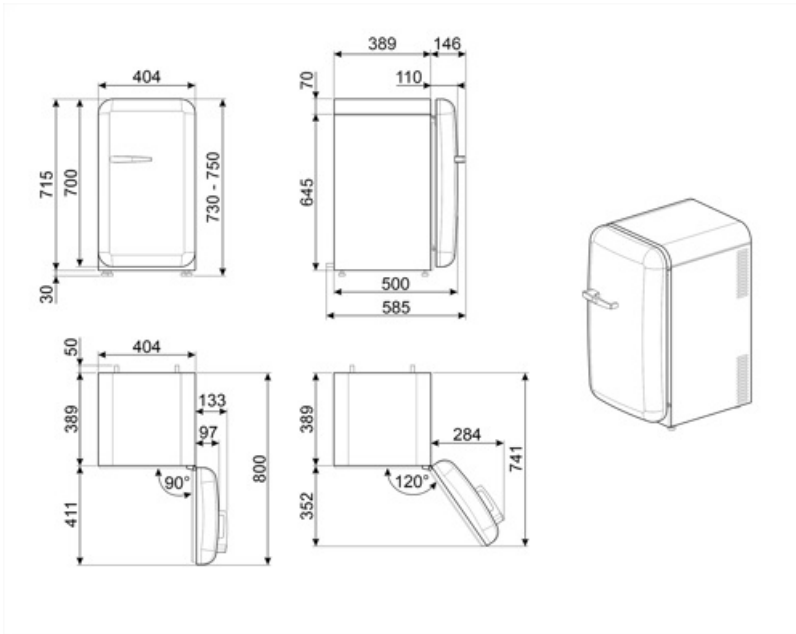
Airborne acoustical noise emissions	40 dB(A) re 1 pW	Climate class	SN, N, ST, T
-------------------------------------	------------------	---------------	--------------

## Electrical Connection

Current	0.89 A	Power supply cable length	70 7/8 "
Voltage (V)	110 V	Plug	(B) NEMA 5-15P
Frequency (Hz)	60 Hz		

## Logistic Information

Product depth with handle	22 7/16 "	Product depth with doors open at 90°	31 1/2 "
---------------------------	-----------	--------------------------------------	----------



---

## Symbols glossary

---



The automatic defrost system works by automatically defrosting at regular intervals eliminating the need to defrost altogether.



LED interior lighting: is a more energy efficient and long lasting way of illuminating the interior of the appliance.



A+++ : Appliances with this symbol can reduce energy consumption by a further 30% from the standard A energy rating.