

# FAB5UROR3



Product Family  
Installation  
Model notes

Refrigerator  
Free standing  
Due collegamenti presenti sul retro del prodotto: - POWER: per funzionamento del prodotto - SIGNAL: per attivare la funzione SMART Un cavo incluso (per collegamento POWER)  
One Door  
Automatic  
Right  
8017709289805



Category

Defrost

Hinge position

EAN code

## Aesthetics

Aesthetic	50's Style	Side material	Steel
Colour	Orange	Side colour	Orange
Finishing	Glossy	Logo	Applied
Material	Heat-moulded		

## Refrigerator compartment features



No. of adjustable shelves	2	Internal light in fridge	Yes
Type of adjustable shelves	Wire	Type of internal light (fridge)	LED

## Refrigerator Inner Door

Number of adjustable door shelves	1	No. of bottle shelves	1
Adjustable door shelves with wire support	Yes	Bottle shelves with wire support	Yes

## Other technical features

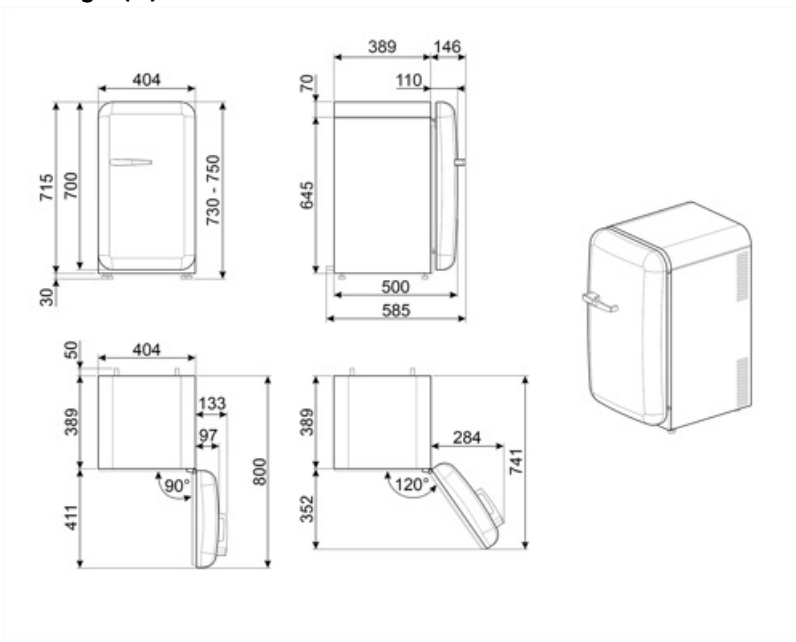
Type of temperature control	Electro-mechanical
No. of compressors	1
Refrigerant gas type	R600a
Foam agent	Cyclopentane

## Performance / Energy Label - Reg. 2019

Airborne acoustical noise emissions	40 dB(A) re 1 pW	Climate class	SN, N, ST, T
-------------------------------------	------------------	---------------	--------------

## Electrical Connection

Plug	(A) USA e Messico	Frequency (Hz)	60 Hz
Current	0.89 A	Power supply cable length	70 7/8 "
Voltage (V)	110 V		



---

## Not included accessories

---

### KITCABLE90UK

Cable with IEC connector and UK plug

---

## Symbols glossary (TT)

---



The automatic defrost system works by automatically defrosting at regular intervals eliminating the need to defrost altogether.



LED interior lighting: is a more energy efficient and long lasting way of illuminating the interior of the appliance.