

FAB5UROR3



Product family	Refrigerator
Installation	Free-standing
Category	Single door
Defrost	Automatic
Hinge position	Right
EAN code	8017709289805



Aesthetic

Aesthetics	Retro-style	Side material	Steel
Color	Orange	Side color	Orange
Finishing	Glossy	Logo	Applied
Material	Thermo-formed		

Refrigerator compartment features



No. of adjustable shelves	2	Refrigerator lighting	Yes
Type of adjustable shelves	Wire	Refrigerator lighting	LED

Refrigerator Inner Door

Number of adjustable door shelves	1	No. of bottle shelves	1
Adjustable door bins with wire support	Yes	Door bin with wire support	Yes

Other technical features

Temperature setting type	Electro-mechanical
No. of compressors	1
Refrigerant gas type	R600a

Foam agent

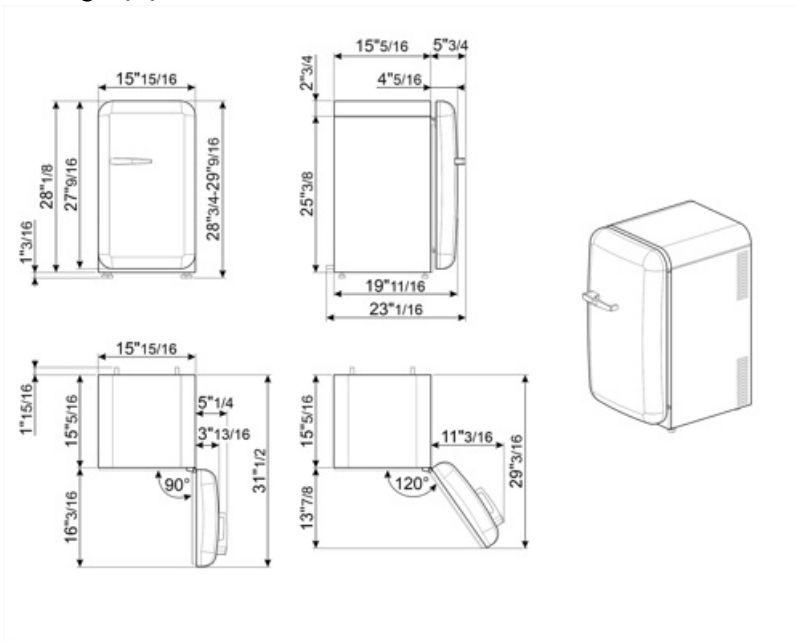
Cyclopentane

Performance / Energy Label

Noise level	40 dB(A) re 1 pW	Climatic class	SN, N, ST, T
-------------	------------------	----------------	--------------

Electrical Connection

Plug	(A) USA & Mexico	Frequency (Hz)	60 Hz
Current	0,89 A	Power cord length	70 7/8 "
Voltage (V)	110 V		



Compatible Accessories

KITCABLE90UK

Cable with IEC connector and UK plug

Symbols glossary



The automatic defrost system works by automatically defrosting at regular intervals eliminating the need to defrost altogether.



LED interior lighting: is a more energy efficient and long lasting way of illuminating the interior of the appliance.



A+++ : Appliances with this symbol can reduce energy consumption by a further 30% from the standard A energy rating.

Benefit (TT)

Refrigerant gas R600a

Environmentally friendly R600a refrigerant gas contributes to rapid cooling with lower energy consumption

Climate class

Climatic class SN-T makes the appliance suitable for working at room temperature between 10 °C and 43 °C (50 °F ~ 109 °F)

External handle

The external handle ensures practicality and ease of use of the refrigerator

Refrigerator Internal lighting

Interior lighting for perfect visibility of shelves in the refrigerator compartment