

# FAB5URWH3



Product Family	Refrigerator
Installation	Free standing
Category	One Door
Defrost	Automatic
Hinge position	Right
EAN code	8017709289829



## Aesthetics

Aesthetic	50's Style	Material	Heat-moulded
Colour	White	Side material	Steel
Finishing	Glossy	Side colour	White
Design	Rounded	Logo	Applied

## Refrigerator compartment features



No. of adjustable shelves	2	Internal light in fridge	Yes
Type of adjustable shelves	Wire	Type of internal light (fridge)	LED

## Refrigerator Inner Door

Number of adjustable door shelves	1	No. of bottle shelves	1
Adjustable door shelves with wire support	Yes	Bottle shelves with wire support	Yes

## Other technical features

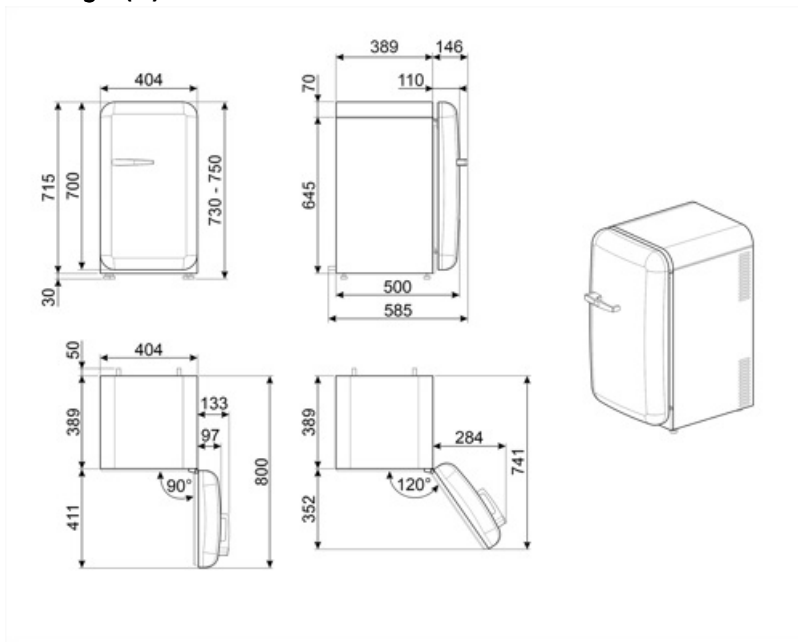
Type of temperature control	Electro-mechanical
No. of compressors	1
Refrigerant gas type	R600a
Foam agent	Cyclopentane

## Performance / Energy Label - Reg. 2019

Airborne acoustical noise emissions	40 dB(A) re 1 pW	Climate class	SN, N, ST, T
-------------------------------------	------------------	---------------	--------------

## Electrical Connection

Plug	(A) USA e Messico	Frequency (Hz)	60 Hz
Current	0,89 A	Power supply cable length	70 7/8 "
Voltage (V)	110 V		



---

## Not included accessories

---

**KITCABLE90UK**

Cable with IEC connector and UK plug

---

## Symbols glossary

---



A+++: Appliances with this symbol can reduce energy consumption by a further 30% from the standard A energy rating.



The automatic defrost system works by automatically defrosting at regular intervals eliminating the need to defrost altogether.



LED interior lighting: is a more energy efficient and long lasting way of illuminating the interior of the appliance.