

FD32E

Product Family	Refrigerator
Installation	Free standing
Category	Top Mount
Reference width	Until 60
Reference height	160 - 200
Cooling type	Static
Hinge type	Standard
Hinge position	Right
Reversible door	Yes
EAN code	8017709337551



Aesthetics

Aesthetic	Universale	Handle type	Fixed
Colour	White	Handle colour	White
Design	Flat	Side material	Steel
Material	Metal sheet	Side colour	White
Handle	External	Logo	Applied

Refrigerator compartment features

No. of adjustable shelves	3	Crisper Cover	Yes
Number of fruit and vegetables drawers	1	Type of crisper/vegetable drawers cover	Glass
Type of adjustable shelves	Glass	Internal light in fridge	Yes
Type of crisper/vegetable drawers cover	Standard	Type of internal light (fridge)	Incandescent light

Refrigerator Inner Door

Number of adjustable door shelves	3	No. of bottle shelves	1
-----------------------------------	---	-----------------------	---

Other Refrigerator features

Accessories	Egg tray
-------------	----------

Freezer compartment features

No. of shelves	1	Type of shelves	Wire
----------------	---	-----------------	------

Other Freezer features

Accessories	1 ice box	Ice tray shelf	Yes
-------------	-----------	----------------	-----

Other technical features



Antibacterial Gasket	Yes
Type of temperature control	Electro-mechanical
No. of compressors	1
Refrigerant gas type	R600a
Type of compressor	Standard
Foam agent	Cyclopentane

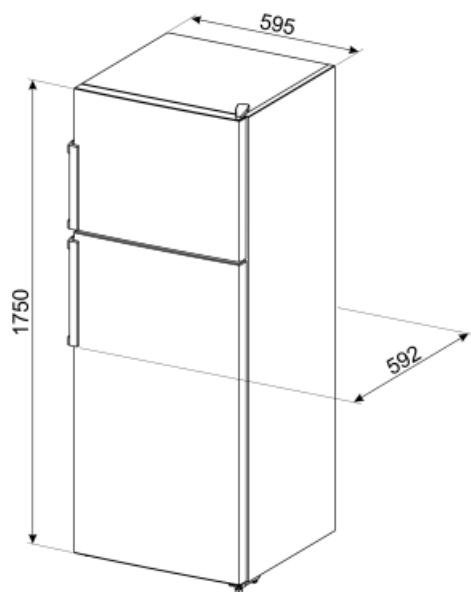
Performance / Energy Label NEW 2019



Annual energy consumption	208 kWh/a	Sum of the volumes of the chill compartment(s) and the unfrozen compartment(s)	237 l
Energy efficiency class	E	Airborne acoustical noise emissions	37 dB(A) re 1pW
Airborne acoustical noise emission class	C	Temperature Rise Time	13 h
Total net volume	306 l	Climate class	SN, N, ST
Sum of the volumes of the frozen compartment(s)	69 l	EI	100 %

Electrical Connection

Plug	(F;E) Schuko	Voltage (V)	220-240 V
Electrical connection rating	120 W	Frequency (Hz)	50 Hz
Current	0.6 A	Power supply cable length	215 cm



Symbols glossary (TT)



Antibacterial treatment: antibacterial treatment to ensure better hygiene



Energy efficiency class E