

FD32ES



Product Family	Refrigerator
Installation	Free standing
Category	Top Mount
Reference width	Until 60 cm
Reference height	160 - 200 cm
Cooling type	Static
Defrost	Automatic for refrigerator, manual for freezer
Hinge type	Standard
Hinge position	Right
Reversible door	Yes
EAN code	8017709337568



Aesthetics

Aesthetic	Universale	Handle colour	Silver
Colour	Silver	Logo colour	Chrome
Design	Flat	Side material	Steel
Material	Metal sheet	Side colour	Silver
Handle	External	Logo	Applied
Handle type	Fixed		

Refrigerator compartment features

Number of compartments	1	Type of crisper/vegetable drawers cover	Standard
Compartment types	Fruit and vegetable compartment	Crisper Cover	Yes
No. of adjustable shelves	4	Type of crisper/vegetable drawers cover	Glass
Number of fruit and vegetables drawers	1	Internal light in fridge	Yes
Shelves material	Glass	Type of internal light (fridge)	Incandescent light

Refrigerator Inner Door

Number of adjustable door shelves	3	No. of bottle shelves	1
-----------------------------------	---	-----------------------	---

Other Refrigerator features

Accessories Egg tray

Freezer compartment features

No. of shelves 1 Type of shelves Wire

Other Freezer features

Accessories 1 ice box Ice tray shelf Yes

Other technical features



Antibacterial Gasket Yes
 Type of temperature control Electro-mechanical
 No. of compressors 1
 Refrigerant gas type R600a
 Type of compressor Standard
 Foam agent Cyclopentane

Performance / Energy Label - Reg. 2019



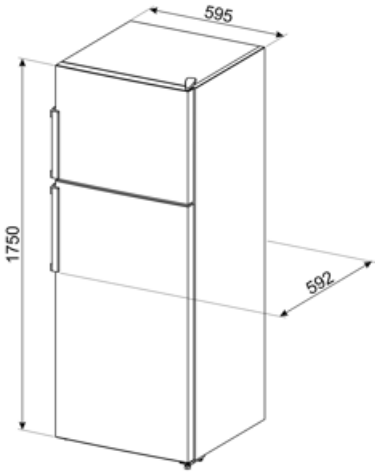
Annual energy consumption	208 kWh/a	Sum of the volumes of the chill compartment(s) and the unfrozen compartment(s)	237 l
Energy efficiency class	E	Airborne acoustical noise emissions	37 dB(A) re 1 pW
Airborne acoustical noise emission class	C	Temperature Rise Time	13 h
Total net volume	306 l	Climate class	SN, N, ST
Sum of the volumes of the frozen compartment(s)	69 l	EEl	100 %

Electrical Connection

Electrical connection rating	120 W	Frequency (Hz)	50 Hz
Current	0,6 A	Power supply cable length	215 cm
Voltage (V)	220-240 V	Plug	(F;E) Schuko

Logistic Information

Width	595 mm	Height	1750 mm
Depth without handle	562 mm	Product width with maximum doors opening	1046 mm



Alternative products



FD32E

Hinge position: Right
White

Symbols glossary



The automatic defrost system works by automatically defrosting at regular intervals eliminating the need to defrost altogether.



Antibacterial treatment: antibacterial treatment to ensure better hygiene.



Energy efficiency class E