

# FD32ES



Product Family	Refrigerator
Installation	Free Standing
Category	Double Door
Reference width	Until 60
Reference height	160 - 200
Cooling type	Static
Defrost	Automatic for refrigerator, manual for freezer
Hinge type	Standard
Hinge position	Right
Reversible door	Yes
EAN code	8017709337568



## Aesthetics

Aesthetic	Universal	Logo colour	Chrome
Colour	Silver	Side material	Steel
Design	Flat	Side colour	Silver
Material	Metal sheet	Logotipo	Logotipo aplicado
Handle kit to be ordered separately	No	Display	No
Handle	External	Dispenser	No
Handle type	Fixed	Water Filter	No
Handle colour	Silver	HomeBar	No

## Refrigerator compartment features

No. of adjustable shelves	3	Bottle shelf	No
Number of fruit and vegetables drawers	1	Type of crisper/vegetable drawers cover	Glass
Type of adjustable shelves	Glass	Life Plus zone-0°C	No
Type of crisper/vegetable drawers cover	Standard	Internal light in fridge	Yes
Crisper Cover	Yes	Type of internal light (fridge)	Incandescent light

## Refrigerator Inner Door

Number of adjustable door shelves	3	No. of bottle shelves	1
-----------------------------------	---	-----------------------	---

Adjustable door shelves with wire support No

Bottle shelves with wire support No

## Other Refrigerator features

Accessories Egg tray  
Natural Plus Blu Light No

MultiFlow No  
Fan No

## Freezer compartment features

No. of shelves 1  
Internal light in freezer No

Type of internal light (freezer) No  
Type of shelves Wire

## Freezer Inner Door

Pizza box No

## Other Freezer features

Accessories 1 ice box  
Manual ice maker No

Fast freezing compartment No  
Ice tray shelf Yes

## Other technical features



MultiZone	No
Fast freezing button	No
Power on lamp	No
Temperature alarm lamp	No
Door open alarm	No
Temperature Alarm	No
Antibacterial Gasket	Yes
Type of temperature control	Electro-mechanical
No. of compressors	1
Refrigerant gas type	R600a
Type of compressor	Standard
Espuma expansiva de isolamento	Ciclopentano

## Etiqueta de Desempenho / Energia - Reg. 2019

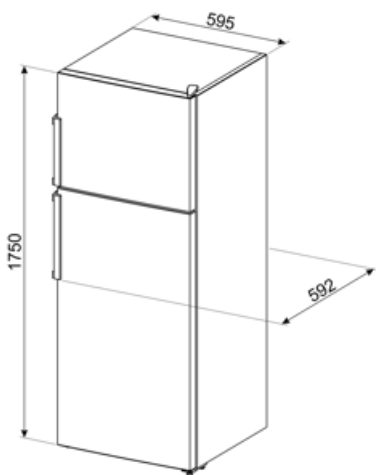


Consumo de energia anual 208 kWh/a

Classe de eficiência energética	E	Soma dos volumes do(s) compartimento(s) refrigerado(s) e do(s) compartimento(s) não congelado(s)	237 l
Classe de emissão de ruído acústico aerotransportado	C	Airborne acoustical noise emissions	37 dB(A) re 1 pW
Volume líquido total	306 l	Autonomia de conservação sem energia elétrica	13 h
Soma dos volumes do(s) compartimento(s) congelado(s)	69 l	Classe climática	SN, N, ST
		EI	100 %

## Electrical Connection

Plug	(F;E) Schuko	Voltage (V)	220-240 V
Electrical connection rating	120 W	Frequency (Hz)	50 Hz
Current	0.6 A	Power supply cable length	215 cm



---

## Symbols glossary

---



O sistema de descongelamento automático funciona descongelando automaticamente em intervalos regulares, eliminando a necessidade de descongelar completamente.



Tratamento antibacteriano: tratamento antibacteriano para garantir uma melhor higiene



Classe de eficiência energética E.

---

## Benefit (TT)

---

### **Refrigerant gas R600a**

Environmentally friendly R600a refrigerant gas contributes to rapid cooling with lower energy consumption

### **External handle**

The external handle ensures practicality and ease of use of the refrigerator

### **Refrigerator Internal lighting**

Interior lighting for perfect visibility of shelves in the refrigerator compartment

### **Fruit and vegetable drawer**

The fruit and vegetable drawer ensures the best storage conditions for fresh food, avoiding any contamination