

FS08EW



Product Family	Refrigerator
Installation	Free Standing
Category	Under counter
Reference width	Until 60
Reference height	Until 100
Cooling type	Static
Defrost	Automatic for refrigerator, manual for freezer
Hinge type	Standard
Door opening flush with the wall	Yes
Slot-in	No
Hinge position	Right
Reversible door	Yes
EAN code	8017709337780



Aesthetics

Aesthetic	Universal	Side colour	White
Colour	White	Logotipo	Logotipo aplicado
Material	Metal sheet	Cor do perfil das prateleiras da porta	White
Handle kit to be ordered separately	No	Cor do perfil das gavetas	White
Handle	Integrated	Display	No
Handle type	Fixed	Dispenser	No
Logo colour	Black	Water Filter	No
Side material	Steel	HomeBar	No

Refrigerator compartment features

No. of adjustable shelves	1	Bottle shelf	No
Number of fruit and vegetables drawers	1	Type of crisper/vegetable drawers cover	Glass
Type of adjustable shelves	Glass	Life Plus zone-0°C	No
Type of crisper/vegetable drawers cover	Standard	Internal light in fridge	No
Crisper Cover	Yes	Type of internal light (fridge)	No

Refrigerator Inner Door

No. of door shelves with transparent cover	1	No. of bottle shelves	1
--	---	-----------------------	---

Adjustable door shelves with wire support No

Bottle shelves with wire support No

Other Refrigerator features

Natural Plus Blu Light MultiFlow No
No

Fan No

Freezer compartment features

Internal freezer compartment Yes
Internal light in freezer No

Type of internal light (freezer) No

Other technical features



Ligação à rede de água	No
Power on lamp	No
Temperature alarm lamp	No
Door open alarm	No
Temperature Alarm	No
Antibacterial Gasket	Yes
Type of temperature control	Electro-mechanical
No. of compressors	1
Refrigerant gas type	R600a
Type of compressor	Standard
Espuma expansiva de isolamento	Ciclopentano

Etiqueta de Desempenho / Energia - Reg. 2019



Consumo de energia anual	106 kWh/a	Soma dos volumes do(s) compartimento(s) refrigerado(s) e do(s) compartimento(s) não congelado(s)	74 l
Classe de eficiência energética	E	Airborne acoustical noise emissions	41 dB(A) re 1 pW
Classe de emissão de ruído acústico aerotransportado	C	Classe climática	N, T
Volume líquido total	82 l	EEl	100 %
Soma dos volumes do(s) compartimento(s) congelado(s)	8 l		

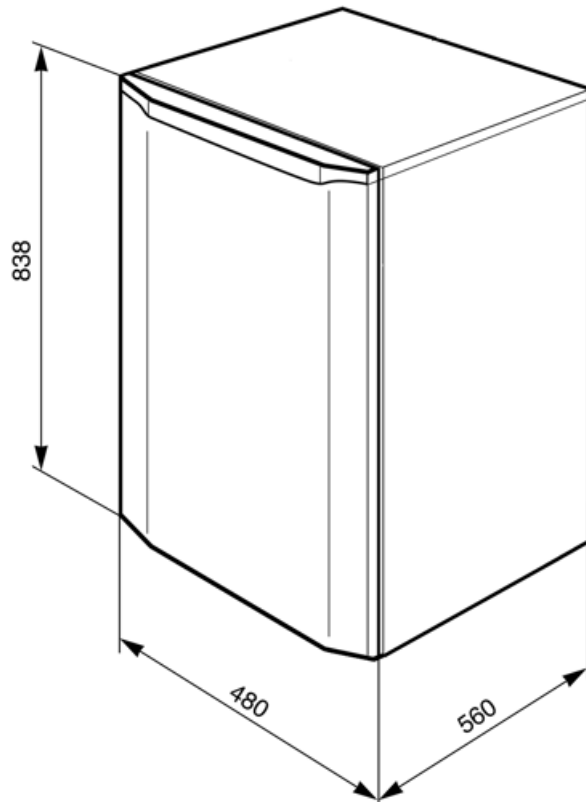
Electrical Connection

Plug	(F;E) Schuko	Voltage (V)	220-240 V
		Frequency (Hz)	50 Hz

Electrical connection rating 125 W

Power supply cable length 180 cm

Current 0.7 A



Symbols glossary



O sistema de descongelamento automático funciona descongelando automaticamente em intervalos regulares, eliminando a necessidade de descongelar completamente.



Tratamento antibacteriano: tratamento antibacteriano para garantir uma melhor higiene



Classe de eficiência energética E.

Benefit (TT)

Refrigerant gas R600a

Environmentally friendly R600a refrigerant gas contributes to rapid cooling with lower energy consumption

Reversible door

Reversible door ensures flexible installation and space optimisation

Fruit and vegetable drawer

The fruit and vegetable drawer ensures the best storage conditions for fresh food, avoiding any contamination