

## FS09ES

Product Family	Refrigerator
Installation	Free Standing
Category	Under counter
Reference width	Until 60
Reference height	Until 100
Cooling type	Static
Hinge type	Standard
Hinge position	Right
Reversible door	Yes
EAN code	8017709337797



## Aesthetics

Aesthetic	Universal	Side material	Steel
Colour	Silver	Side colour	Silver
Design	Flat	Logotipo	Logotipo aplicado
Material	Metal sheet	Display	No
Handle kit to be ordered separately	No	Dispenser	No
Handle	Integrated	HomeBar	No
Handle type	Fixed	Alternative colours available	White
Handle colour	Silver		

## Refrigerator compartment features

No. of adjustable shelves	1	Type of crisper/vegetable drawers cover	Glass
Number of fruit and vegetables drawers	1	Life Plus zone-0°C	No
Type of adjustable shelves	Glass	Compartimento baixa temperatura	No
Type of crisper/vegetable drawers cover	Standard	Internal light in fridge	Yes
Crisper Cover	Yes	Type of internal light (fridge)	Incandescent light
Bottle shelf	No		

## Refrigerator Inner Door

Number of adjustable door shelves	2	No. of bottle shelves	1
-----------------------------------	---	-----------------------	---

Adjustable door shelves with wire support No

Bottle shelves with wire support No

## Other Refrigerator features

Accessories Egg tray  
Natural Plus Blu Light No

MultiFlow No  
Fan No

## Freezer compartment features

Internal freezer compartment Yes

Internal light in freezer No

## Other technical features

Freezer compartment accessories No  
Power on lamp No  
Temperature alarm lamp No  
Type of temperature control Electro-mechanical  
No. of compressors 1  
Refrigerant gas type R600a  
Espuma expansiva de isolamento Ciclopentano

## Etiqueta de Desempenho / Energia - Reg. 2019



Consumo de energia anual 145 kWh/a

Classe de eficiência energética E

Classe de emissão de ruído acústico aerotransportado C

Volume líquido total 121 l

Soma dos volumes do(s) compartimento(s) congelado(s) 17 l

Soma dos volumes do(s) compartimento(s) refrigerado(s) e do(s) compartimento(s) não congelado(s) 105 l

Airborne acoustical noise emissions 40 dB(A) re 1 pW

Autonomia de conservação sem energia elétrica 6.6 h

4 estrelas - Capacidade de congelamento 2.6 Kg/24h

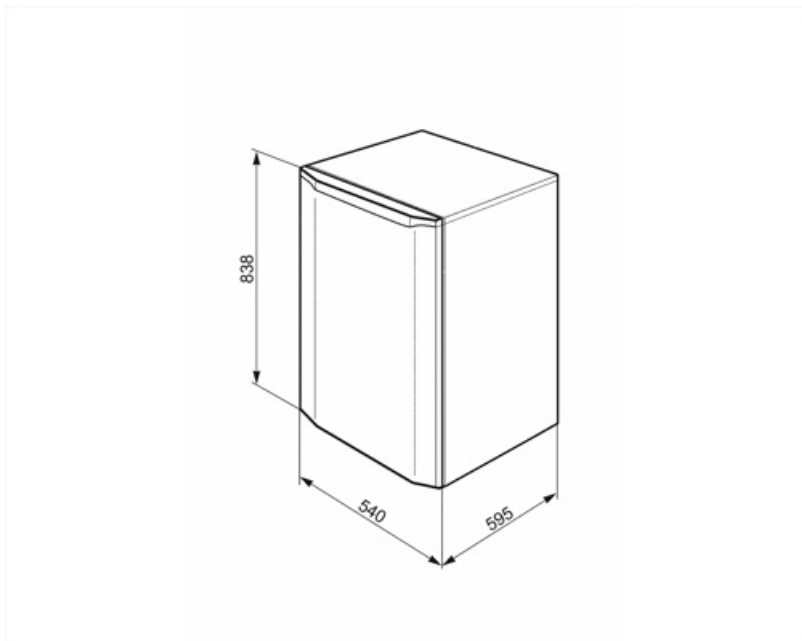
Classe climática N, T

EEI 100 %

## Electrical Connection


Plug (F;E) Schuko  
Electrical connection rating 106 W  
Current 0,51 A

Voltage (V) 220-240 V  
Frequency (Hz) 50 Hz  
Power supply cable length 120 cm



## Symbols glossary

---

 Classe de eficiência energética E.

---

## Benefit (TT)

---

### **Refrigerant gas R600a**

Environmentally friendly R600a refrigerant gas contributes to rapid cooling with lower energy consumption

### **Reversible door**

Reversible door ensures flexible installation and space optimisation

### **Refrigerator Internal lighting**

Interior lighting for perfect visibility of shelves in the refrigerator compartment

### **Fruit and vegetable drawer**

The fruit and vegetable drawer ensures the best storage conditions for fresh food, avoiding any contamination