

FS09FS

Product Family	Refrigerator
Installation	Free Standing
Category	Under counter
Reference width	Until 60
Reference height	Until 100
Cooling type	Static
Hinge type	Standard
Hinge position	Right
Reversible door	Yes
EAN code	8017709296117



Aesthetics

Aesthetic	Universal	Side material	Steel
Colour	Silver	Side colour	Silver
Design	Flat	Logotipo	Logotipo aplicado
Material	Metal sheet	Display	No
Handle kit to be ordered separately	No	Dispenser	No
Handle	Integrated	HomeBar	No
Handle type	Fixed	Alternative colours available	White
Handle colour	Silver		

Refrigerator compartment features

No. of adjustable shelves	1	Type of crisper/vegetable drawers cover	Glass
Number of fruit and vegetables drawers	1	Life Plus zone-0°C	No
Type of adjustable shelves	Glass	Compartimento baixa temperatura	No
Type of crisper/vegetable drawers cover	Standard	Internal light in fridge	Yes
Crisper Cover	Yes	Type of internal light (fridge)	Incandescent light
Bottle shelf	No		

Refrigerator Inner Door

Number of adjustable door shelves	2	No. of bottle shelves	1
-----------------------------------	---	-----------------------	---

Adjustable door shelves with wire support No

Bottle shelves with wire support No

Other Refrigerator features

Accessories Egg tray MultiFlow No
Natural Plus Blu Light No Fan No


Freezer compartment features

Internal freezer compartment Yes Internal light in freezer No

Other technical features

Freezer compartment accessories No
Power on lamp No
Temperature alarm lamp No
Type of temperature control Electro-mechanical
No. of compressors 1
Refrigerant gas type R600a
Refrigerant Quantity (gr) 25 g
Espuma expansiva de isolamento Ciclopentano

Etiqueta de Desempenho / Energia - Reg. 2019

			
Consumo de energia anual	181 kWh/a	Airborne acoustical noise emissions	40 dB(A) re 1 pW
Classe de eficiência energética	F	Autonomia de conservação sem energia elétrica	6.6 h
Classe de emissão de ruído acústico aerotransportado	C	4 estrelas - Capacidade de congelamento	2.6 Kg/24h
Volume líquido total	121 l	Classe climática	SN, T
Soma dos volumes do(s) compartimento(s) congelado(s)	17 l	EEl	125 %
Soma dos volumes do(s) compartimento(s) refrigerado(s) e do(s) compartimento(s) não congelado(s)	105 l		

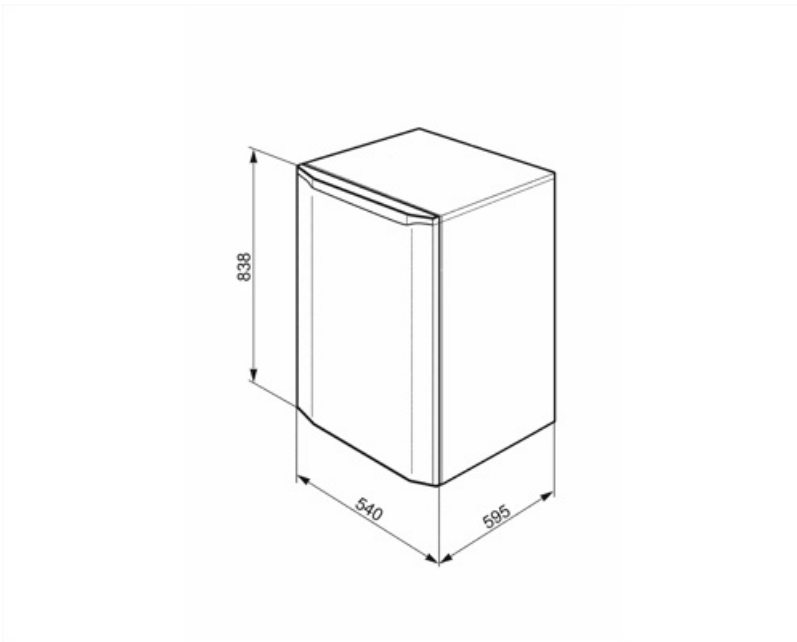
Electrical Connection

Plug (F;E) Schuko Voltage (V) 220-240 V
Frequency (Hz) 50 Hz

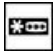


Electrical connection rating 106 W

Power supply cable length 120 cm

Current 0,51 A



Symbols glossary

-  Compartimento de congelamento de 4 estrelas para uma melhor preservação dos alimentos.
-  A+: A classe de eficiência energética A+ ajuda a economizar até 10% de energia em comparação com a classe A. O desempenho máximo com consumo mínimo é garantido.
-  Classe de eficiência energética F

Benefit (TT)

Refrigerant gas R600a

Environmentally friendly R600a refrigerant gas contributes to rapid cooling with lower energy consumption

Climate class

Climatic class SN-T makes the appliance suitable for working at room temperature between 10 °C and 43 °C (50 °F ~ 109 °F)

Reversible door

Reversible door ensures flexible installation and space optimisation

Refrigerator Internal lighting

Interior lighting for perfect visibility of shelves in the refrigerator compartment

Fruit and vegetable drawer

The fruit and vegetable drawer ensures the best storage conditions for fresh food, avoiding any contamination