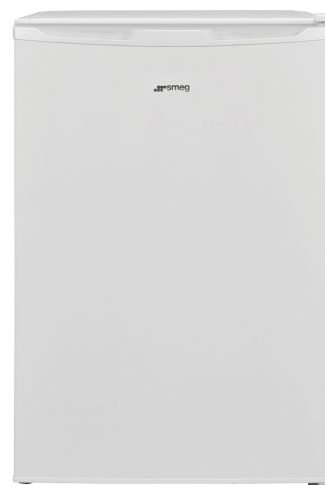


FS09FW

Product Family	Refrigerator
Installation	Free Standing
Category	Under counter
Reference width	Until 60
Reference height	Until 100
Cooling type	Static
Hinge type	Standard
Hinge position	Right
Reversible door	Yes
EAN code	8017709296100



Aesthetics

Aesthetic	Universal	Side material	Steel
Colour	White	Side colour	White
Design	Flat	Logotipo	Logotipo aplicado
Material	Metal sheet	Display	No
Handle kit to be ordered separately	No	Dispenser	No
Handle	Integrated	HomeBar	No
Handle type	Fixed	Alternative colours available	Silver
Handle colour	White		

Refrigerator compartment features

No. of adjustable shelves	1	Type of crisper/vegetable drawers cover	Glass
Number of fruit and vegetables drawers	1	Life Plus zone-0°C	No
Type of adjustable shelves	Glass	Compartimento baixa temperatura	No
Type of crisper/vegetable drawers cover	Standard	Internal light in fridge	Yes
Crisper Cover	Yes	Type of internal light (fridge)	Incandescent light
Bottle shelf	No		

Refrigerator Inner Door

Number of adjustable door shelves	2	No. of bottle shelves	1
-----------------------------------	---	-----------------------	---

Adjustable door shelves with wire support No

Bottle shelves with wire support No

Other Refrigerator features

Accessories

Egg tray

MultiFlow

No

Natural Plus Blu Light

No

Fan

No

Freezer compartment features

Internal freezer compartment

Yes

Internal light in freezer

No

Other technical features

Freezer compartment accessories

No

Power on lamp

No

Temperature alarm lamp

No

Type of temperature control

Electro-mechanical

No. of compressors

1

Refrigerant gas type

R600a

Refrigerant Quantity (gr)

25 g

Espuma expansiva de isolamento

Ciclopentano

Etiqueta de Desempenho / Energia - Reg. 2019



Consumo de energia anual 181 kWh/a

Classe de eficiência energética F

Classe de emissão de ruído acústico aerotransportado C

Volume líquido total 121 l

Soma dos volumes do(s) compartimento(s) congelado(s) 17 l

Soma dos volumes do(s) compartimento(s) refrigerado(s) e do(s) compartimento(s) não congelado(s) 105 l

Airborne acoustical noise emissions 40 dB(A) re 1 pW

Autonomia de conservação sem energia elétrica 6.6 h

4 estrelas - Capacidade de congelamento 2.6 Kg/24h

Classe climática SN, T

EEl 125 %

Electrical Connection

Plug (F;E) Schuko

Voltage (V)

220-240 V

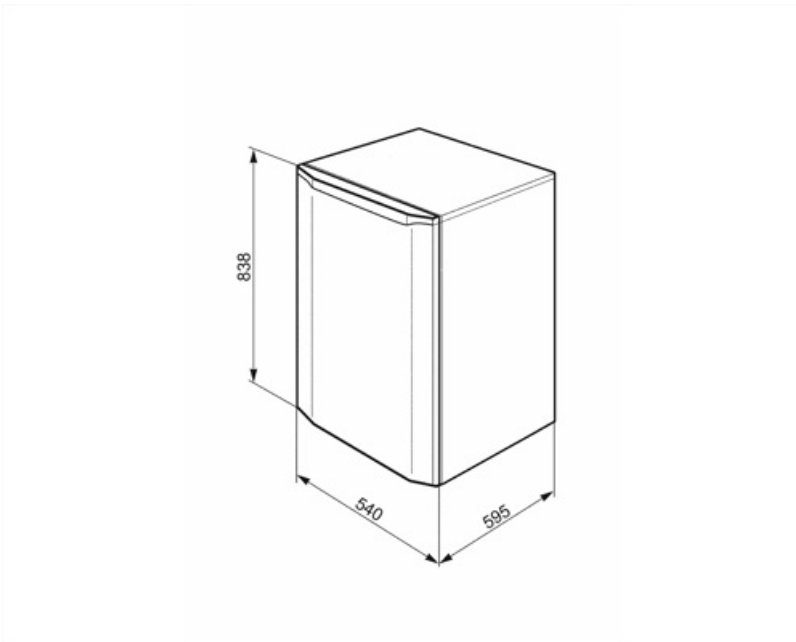
Frequency (Hz)

50 Hz

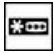


Electrical connection rating 106 W

Power supply cable length 120 cm

Current 0.51 A



Symbols glossary

-  Compartimento de congelamento de 4 estrelas para uma melhor preservação dos alimentos.
-  A+: A classe de eficiência energética A+ ajuda a economizar até 10% de energia em comparação com a classe A. O desempenho máximo com consumo mínimo é garantido.
-  Classe de eficiência energética F

Benefit (TT)

Refrigerant gas R600a

Environmentally friendly R600a refrigerant gas contributes to rapid cooling with lower energy consumption

Climate class

Climatic class SN-T makes the appliance suitable for working at room temperature between 10 °C and 43 °C (50 °F ~ 109 °F)

Reversible door

Reversible door ensures flexible installation and space optimisation

Refrigerator Internal lighting

Interior lighting for perfect visibility of shelves in the refrigerator compartment

Fruit and vegetable drawer

The fruit and vegetable drawer ensures the best storage conditions for fresh food, avoiding any contamination