

K425C

Product family	Professional hood
Subfamily	Condensation
Hood Type	Mounted on oven
Tecnology	Suction and filtering hood
Suitable for	Convection ovens 600x400 mm - GN1/1
Material	Stainless steel



Aesthetics

Colour	Stainless steel	Logo	Embossed
Components finishing	Stainless steel		

Technical Features

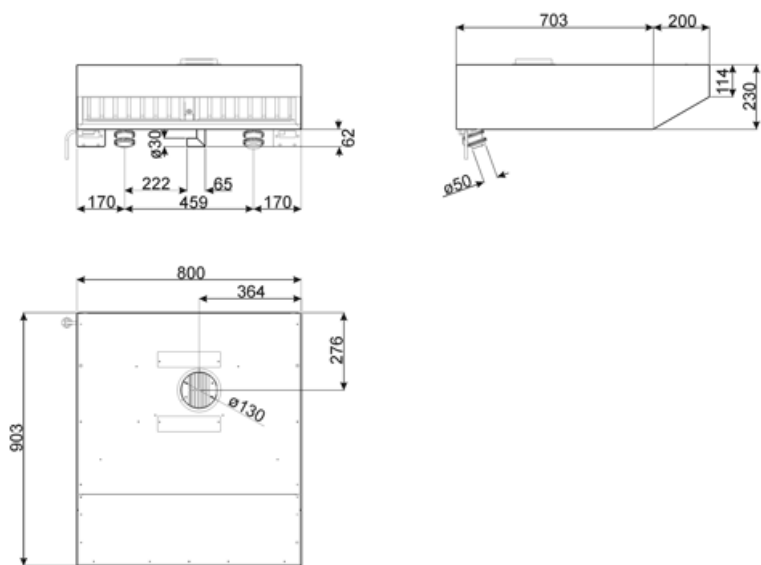
Engine number	1	Noise level	< 70 dB(A)
Engine speeds number	2	Motor power	190 W

Performance / Energy Label

Air flow at mininum speed (Qmin)	300 m ³ /h	Air flow at maximum speed (Qmax)	700 m ³ /h
----------------------------------	-----------------------	----------------------------------	-----------------------

Electrical Connection

Current	1 A	Frequency (Hz)	50 Hz
Voltage	230 V		



Logistic Information

EAN code	8017709262785	Gross weigh	52,000 kg
Net weight	47,000 kg		