

K510X

Product family	Hood
Subfamily	Hood
Hood Type	Mounted on oven
Design	Angled
Tecnology	Chimney
Extraction	Recirculation
Electronic control	Yes
Suitable for	Combi steam oven 4 trays 600x400mm; Combined oven 10 GN1/1; Combined ovens 5 GN1/1
Material	Stainless steel
Type of steel	Brushed
Hood width	80 cm



Aesthetics

Colour	Stainless steel	Logo	Embossed
Components finishing	Stainless steel		

Controls

Control setting	Soft touch	Led color	White
-----------------	------------	-----------	-------

Technical Features



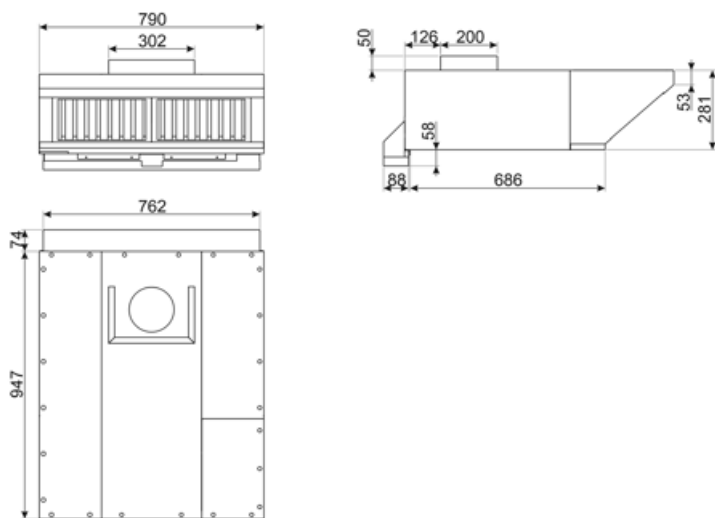
Free outlet maximum capacity	900 m ³ /h	No. of filters	2
Anti-grease filters	Flame retardant labyrinth filter st/steel AISI 304	Vent outlet	150 mm
Motor power	320 W	Non return valve	Yes

Electrical Connection

Voltage	220-240 V	Power supply cable length	2500 mm
Frequency (Hz)	50-60 Hz		

Optional accessories

Charcoal filter	FLT6
-----------------	------



Logistic Information

EAN code	8017709333010	Net weight	19,810 kg
Packed product dimensions (WxDxH)	790x1021x339 mm	Gross weight	24,230 kg

Compatible Accessories

FLT6

Round Charcoal filters (kit 2 pieces)



Symbols glossary



Filters: Model has filters to help remove grease from the steam emanating from the pans during cooking.



Intensive/turbo setting: when extra fast extraction is required.