

KATE600CEX

Product family	Hood
Hood Type	Decorative wall hood
Design	T flat
Extraction	Extraction
Material	Stainless steel
Type of steel	Brushed
EAN code	8017709255053
Hood width	60 cm
Aesthetic	Universale
Colour	Stainless steel
Finishing	Satin
Logo	Silk screen



Controls

Control setting	Buttons
-----------------	---------

Program / Functions

No. of speeds	3
---------------	---

Technical Features

			
No. of lights	2	No. of filters	2
Light type	LED	Anti-grease filters	Aluminium
Light Power	2.5 W	Vent outlet	150 mm
Light color temperature scale (K)	3500 K	Minimum distance from GAS hob	650 mm
Free outlet maximum capacity	612 m ³ /h	Minimum distance from ELECTRIC hob	500 mm
Motor power	175 W	Non return valve	Yes

	Extraction rate IEC 61591 [m ³ /h]	Noise level IEC 60704-2-13 [dBA]
Speed 1	241	46
Speed 2	370	56

Speed 3	590	65
------------	-----	----

Accessories included



Tube reduction

Yes

Charcoal filters included

Yes

Performance / Energy Label



Annual Efficiency Consumption (AEChood)	77 kWh/a
Energy efficiency class (EEC)	C
Fluid Dynamic Efficiency (FDE)	20.2
Fluid Dynamic Efficiency class (FDEC)	C
Lighting Efficiency (LE)	76.1 lux/W
Lighting Efficiency Class (LEC)	A
Grease Filtering Efficiency (GFE)	76 %
Grease Filtering Efficiency Class (GFEC)	C
Air flow at minimum speed (Qmin)	240 m ³ /h
Air flow at maximum speed (Qmax)	581 m ³ /h

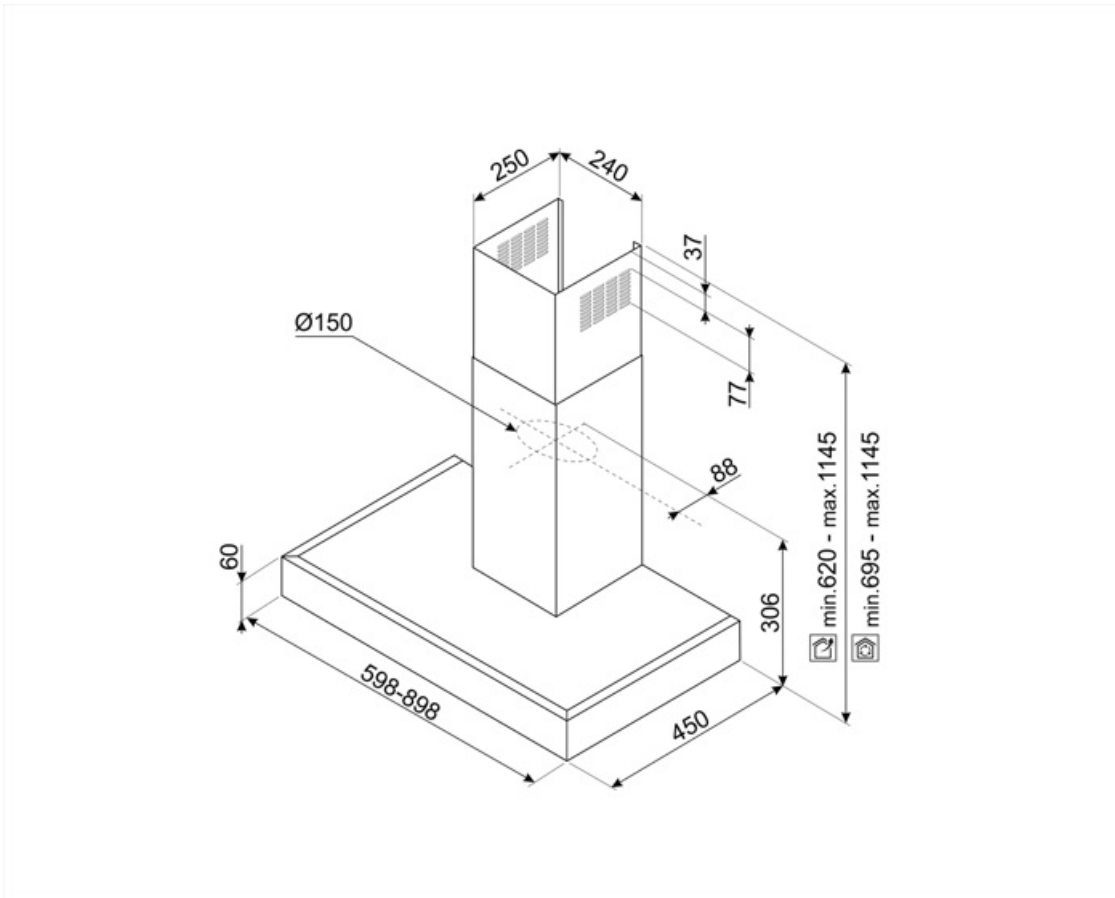
Airbourne acoustical A-weighted sound Power Emission at minimum speed (SPEmin)	47 dBA
Airborne acoustical A-weighted sound Power Emission at maximum speed (SPEmax)	68 dBA
Time increase factor (F)	1.3
Measured air flow rate at best efficiency point (Qbep)	336 m ³ /h
Measured air pressure at best efficiency point (Pbep)	334 Pa
Measured electric power input at best efficiency point (Wbep)	155 W
Nominal Power consumption of the light system (WL)	5 W
Average illumination of the light on the cooking surface (Emiddle)	381 lux
Sound power level at highest setting (Lwa)	68 dBA

Electrical Connection

Electrical connection rating	180 W	Power supply cable length	1500 mm
Voltage	220-240 V	Plug	Not present
Frequency (Hz)	50-60 Hz		

Optional accessories

Chimney extension	KITCMNKAT
-------------------	-----------



Compatible Accessories



KITCMNKAT

Chimney extension dimension 241 * 231 * 810 T-shape hood KAT & KATE
Stainless Steel



KITFC900

Charcoal filter. Kit 1 piece. High performances. Regenerable. To be whased after 3 months of use with hot water. To be changed after 3 years of use.



KITFC999

Charcoal filter Kit 1 piece

Symbols glossary



Filters: Model has filters to help remove grease from the steam emanating from the pans during cooking.



Charcoal filters: Extracting through charcoal filters or directly to the exterior lessens strong cooking odours considerably.



Lights: All cooker hoods feature lights to illuminate the cooking area or add to the ambience of the kitchen.

