

# KATE600EX

Product family	Hood
Hood Type	Chimney Cooker Hoods
Design	T flat
Extraction	Ducted out or re-circulation possible
Material	Stainless steel
Type of steel	Brushed
EAN code	8017709235130
Hood width	60 cm



## Aesthetics

Aesthetics	Universal	Serigraphy colour	Black
Colour	Stainless steel	Logo	Silk screen
Finishing	Brushed		



## Controls

Control setting	Buttons
-----------------	---------

## Programs / Functions

No. of speeds	3
---------------	---

## Technical Features

			
No. of lights	2	No. of filters	2
Light type	LED	Anti-grease filters	Aluminium
Light power	2.5 W	Vent outlet	150 mm
Light colour	3500 °K	Minimum distance from GAS hob	650 mm
Free outlet maximum capacity	612 m <sup>3</sup> /h	Minimum distance from ELECTRIC hob	500 mm
Motor power	175 W	Non return valve	Yes

	Extraction rate IEC 61591 [m³/h]	Noise level IEC 60704-2-13 [dBA]
Speed 1	241	46
Speed 2	370	56
Speed 3	590	67

## Accessories Included

Tube reduction Yes

## Performance / Energy Label



Annual Efficiency Consumption (AEChood) 77 kWh/year

Energy efficiency class (EEC) C

Fluid Dynamic Efficiency (FDE) 20.2

Fluid Dynamic Efficiency class (FDEC) C

Lighting Efficiency (LE) 76.1 lux/W

Lighting Efficiency Class (LEC) A

Grease Filtering Efficiency (GFE) 76 %

Grease Filtering Efficiency Class (GFEC) C

Air flow at minimum speed (Qmin) 240 m³/h

Maximum extraction rate 581 m³/h

Airbourne acoustical A-weighted sound Power Emission at minimum speed (SPEmin) 47 dBA

Airborne acoustical A-weighted sound Power Emission at maximum speed (SPEmax) 68 dBA

Time increase factor (F) 1.3

Measured air flow rate at best efficiency point (Qbep) 336 m³/h

Measured air pressure at best efficiency point (Qbep) 334 Pa

Measured electric power input at best efficiency point (Wbep) 155 W

Normal Power of the light system (WI) 5 W

Average illumination of the light on the cooking surface (Emiddle) 381 lux

Sound power level at highest setting (Lwa) 68 dBA

## Electrical Connection

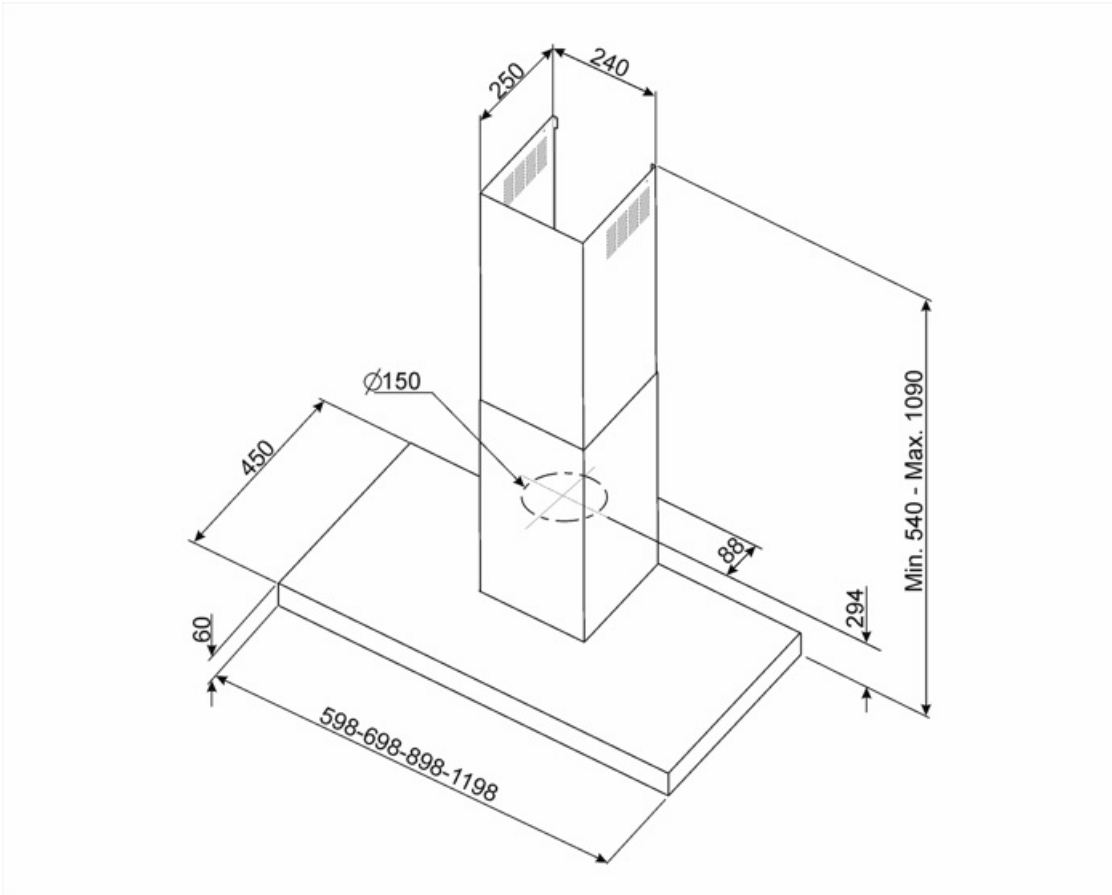
Nominal power 180 W

Voltage 220-240 V

Frequency (Hz) 50-60 Hz

Power supply cable length 1500 mm

## Optional accessories



---

## Not included accessories

---



### KITFC900

Charcoal filter Kit 1 piece high performances washable



### KITCMNKAT

Chimney extension dimension 241 \* 231 \* 810 T-shape hood KAT & KATE Stainless Steel

---

## Symbols glossary

---



**Filters:** Model has filters to help remove grease from the steam emanating from the pans during cooking.



**Lights:** All cooker hoods feature lights to illuminate the cooking area or add to the ambience of the kitchen.

