

KATE600EX

| | |
|-------------------|----------------------|
| Product family | Hood |
| Hood Type | Decorative wall hood |
| Design | T flat |
| Extraction | Extraction |
| Material | Stainless steel |
| Type of steel | Brushed |
| EAN code | 8017709235130 |
| Hood width | 60 cm |
| Aesthetic | Universale |
| Colour | Stainless steel |
| Finishing | Satin |
| Serigraphy colour | Black |
| Logo | Silk screen |



Controls

| | |
|-----------------|---------|
| Control setting | Buttons |
|-----------------|---------|

Program / Functions

| | |
|---------------|---|
| No. of speeds | 3 |
|---------------|---|

Technical Features



| | | | |
|-----------------------------------|-----------------------|------------------------------------|-----------|
| No. of lights | 2 | No. of filters | 2 |
| Light type | LED | Anti-grease filters | Aluminium |
| Light Power | 2.5 W | Vent outlet | 150 mm |
| Light color temperature scale (K) | 3500 K | Minimum distance from GAS hob | 650 mm |
| Free outlet maximum capacity | 612 m ³ /h | Minimum distance from ELECTRIC hob | 500 mm |
| Motor power | 175 W | Non return valve | Yes |

| | Extraction rate IEC 61591 [m ³ /h] | Noise level IEC 60704-2-13 [dBA] |
|---------|---|----------------------------------|
| Speed 1 | 241 | 46 |
| Speed 2 | 370 | 56 |

| | | |
|------------|-----|----|
| Speed 3 | 590 | 67 |
|------------|-----|----|

Accessories included

Tube reduction Yes

Performance / Energy Label



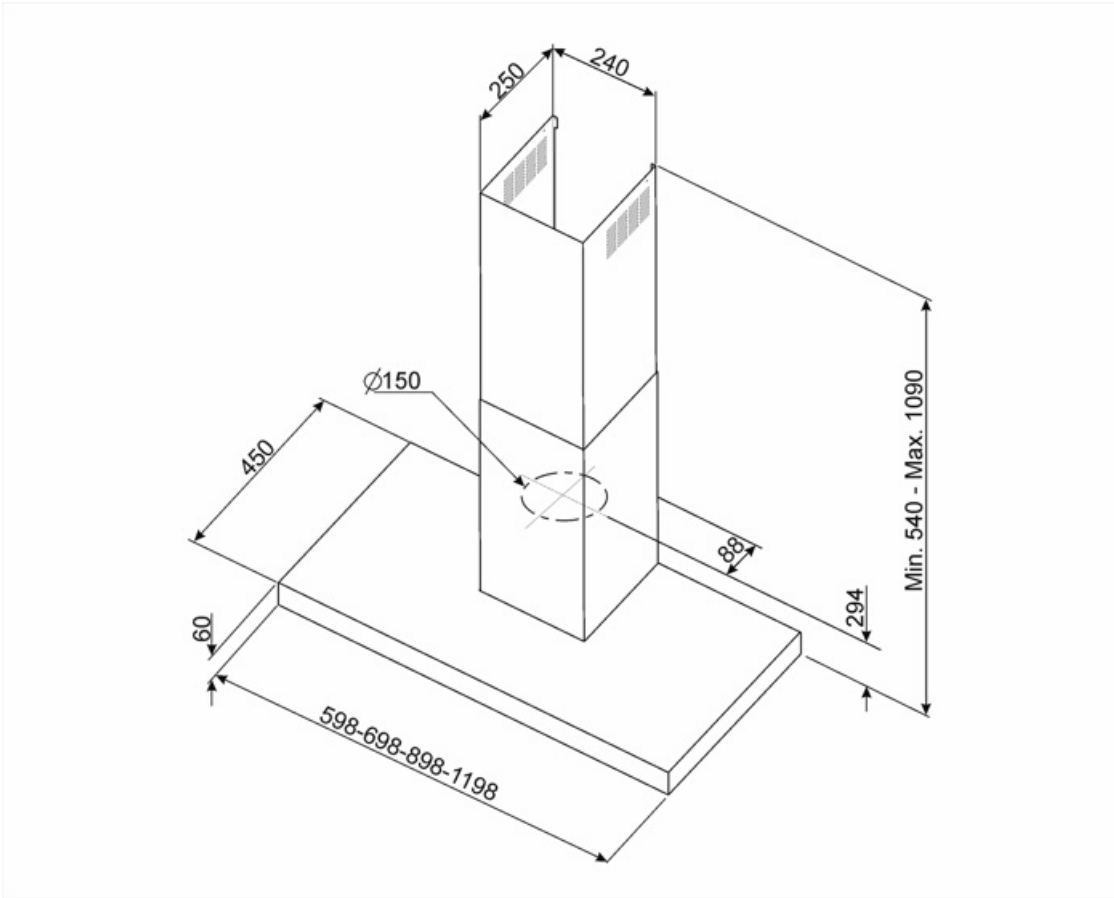
| | | | |
|--|-----------------------|--|-----------------------|
| Annual Efficiency Consumption (AEChood) | 77 kWh/a | Airbourne acoustical A-weighted sound Power Emission at minimum speed (SPEmin) | 47 dBA |
| Energy efficiency class (EEC) | C | Airborne acoustical A-weighted sound Power Emission at maximum speed (SPEmax) | 68 dBA |
| Fluid Dynamic Efficiency (FDE) | 20.2 | Time increase factor (F) | 1.3 |
| Fluid Dynamic Efficiency class (FDEC) | C | Measured air flow rate at best efficiency point (Qbep) | 336 m ³ /h |
| Lighting Efficiency (LE) | 76.1 lux/W | Measured air pressure at best efficiency point (Pbep) | 334 Pa |
| Lighting Efficiency Class (LEC) | A | Measured electric power input at best efficiency point (Wbep) | 155 W |
| Grease Filtering Efficiency (GFE) | 76 % | Nominal Power consumption of the light system (WL) | 5 W |
| Grease Filtering Efficiency Class (GFEC) | C | Average illumination of the light on the cooking surface (Emiddle) | 381 lux |
| Air flow at minumum speed (Qmin) | 240 m ³ /h | Sound power level at highest setting (Lwa) | 68 dBA |
| Air flow at maximum speed (Qmax) | 581 m ³ /h | | |

Electrical Connection

| | | | |
|------------------------------|-----------|---------------------------|-------------|
| Electrical connection rating | 180 W | Power supply cable length | 1500 mm |
| Voltage | 220-240 V | Plug | Not present |
| Frequency (Hz) | 50-60 Hz | | |

Optional accessories

| | | | |
|-----------------|---------------------|-------------------|-----------|
| Charcoal filter | KITFC900 - KITFC999 | Chimney extension | KITCMNKAT |
|-----------------|---------------------|-------------------|-----------|



Compatible Accessories



KITCMNKAT

Chimney extension dimension 241 * 231
* 810 T-shape hood KAT & KATE
Stainless Steel



KITFC900

Charcoal filter. Kit 1 piece. High performances. Regenerable. To be whased after 3 months of use with hot water. To be changed after 3 years of use.

Symbols glossary



Filters: Model has filters to help remove grease from the steam emanating from the pans during cooking.



Lights: All cooker hoods feature lights to illuminate the cooking area or add to the ambience of the kitchen.