

# KATE900CEX

Product family	Hood
Hood Type	Decorative wall hood
Design	T flat
Extraction	Extraction
Material	Stainless steel
Type of steel	Brushed
EAN code	8017709255060
Hood width	90 cm



## Aesthetics

Aesthetic Colour Finishing	Universale Stainless steel Satin	Serigraphy colour Logo	Black Silk screen
----------------------------	--	---------------------------	----------------------

## Controls

Control setting	Buttons
-----------------	---------

## Program / Functions

No. of speeds	3
---------------	---

## Technical Features



No. of lights	2	Anti-grease filters	Aluminium
Light type	LED	Charcoal filters included	Yes
Light Power	2.5 W	Filter replacement indicator	Yes
Light color temperature scale (°K)	3500 °K	Vent outlet	150 mm
Free outlet maximum capacity	612 m <sup>3</sup> /h	Minimum distance from GAS hob	650 mm
Motor power	175 W	Minimum distance from ELECTRIC hob	500 mm
No. of filters	3	Non return valve	Yes

	Extraction rate IEC 61591 [m <sup>3</sup> /h]	Noise level IEC 60704-2-13 [dBA]
Speed 1	241	46
Speed 2	370	56
Speed 3	590	68

## Performance / Energy Label



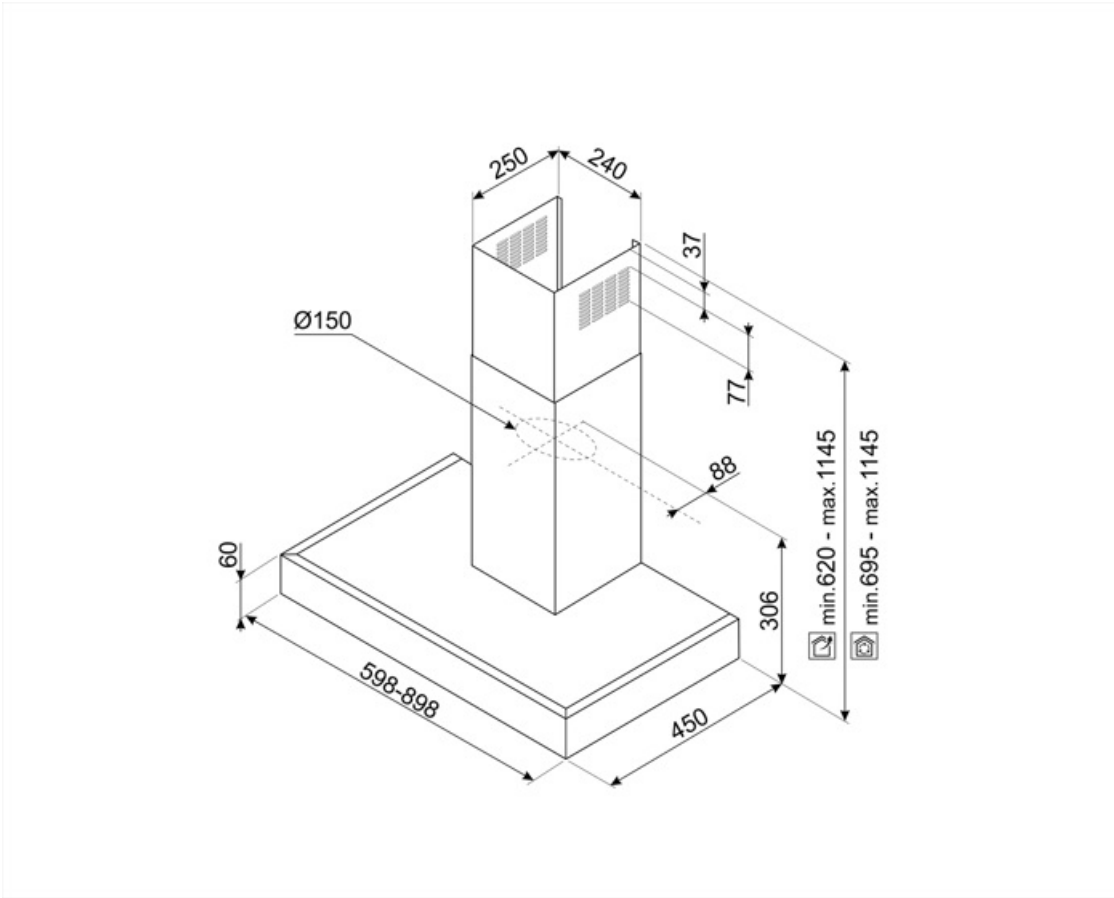
Annual Efficiency Consumption (AEChood)	77 kWh/a	Airbourne acoustical A-weighted sound Power Emission at minimum speed (SPEmin)	47 dBA
Energy efficiency class (EEC)	C	Airborne acoustical A-weighted sound Power Emission at maximum speed (SPEmax)	68 dBA
Fluid Dynamic Efficiency (FDE)	20,2	Time increase factor (F)	1,3
Fluid Dynamic Efficiency class (FDEC)	C	Measured air flow rate at best efficiency point (Qbep)	336 m <sup>3</sup> /h
Lighting Efficiency (LE)	76,1 lux/W	Measured air pressure at best efficiency point (Pbep)	334 Pa
Lighting Efficiency Class (LEC)	A	Measured electric power input at best efficiency point (Wbep)	155 W
Grease Filtering Efficiency (GFE)	76 %	Nominal Power consumption of the light system (WL)	5 W
Grease Filtering Efficiency Class (GFEC)	C	Average illumination of the light on the cooking surface (Emiddle)	381 lux
Air flow at minimum speed (Qmin)	240 m <sup>3</sup> /h	Sound power level at highest setting (Lwa)	68 dBA
Air flow at maximum speed (Qmax)	581 m <sup>3</sup> /h		

## Electrical Connection

Plug	Not present	Frequency (Hz)	50-60 Hz
Electrical connection rating	180 W	Power supply cable length	1500 mm
Voltage	220-240 V		

## Optional accessories

Chimney extension	KITCMNKAT
-------------------	-----------



---

## Not included accessories

---



### **KITCMNKAT**

Chimney extension dimension 241 \* 231  
\* 810 T-shape hood KAT & KATE  
Stainless Steel



### **KITFC900**

Charcoal filter Kit 1 piece high  
performances washable



### **KITFC999**

Charcoal filter Kit 1 piece

---

## Symbols glossary

---



**Filters:** Model has filters to help remove grease from the steam emanating from the pans during cooking.



**Charcoal filters:** Extracting through charcoal filters or directly to the exterior lessens strong cooking odours considerably.



**Warning light(s):** to advise when filters need changing.



**Lights:** All cooker hoods feature lights to illuminate the cooking area or add to the ambience of the kitchen.

