

KATE900CEX

Product family	Hood
Hood Type	Decorative wall hood
Design	T flat
Extraction	Extraction
Material	Stainless steel
Type of steel	Brushed
EAN code	8017709255060
Hood width	90 cm



Aesthetics

Aesthetic Colour Finishing	Universale Stainless steel Satin	Serigraphy colour Logo	Black Silk screen
----------------------------	--	---------------------------	----------------------

Controls

Control setting	Buttons
-----------------	---------

Technical Features



No. of lights	2	Anti-grease filters	Aluminium
Light type	LED	Charcoal filters included	Yes
Light Power	2.5 W	Filter replacement indicator	Yes
Light color temperature scale (°K)	3500 °K	Vent outlet	150 mm
Free outlet maximum capacity	612 m ³ /h	Minimum distance from GAS hob	650 mm
Motor power	175 W	Minimum distance from ELECTRIC hob	500 mm
No. of filters	3	Non return valve	Yes

	Extraction rate IEC 61591 [m ³ /h]	Noise level IEC 60704-2-13 [dBA]
Speed 1	241	46

Speed 2	370	56
Speed 3	590	68

Performance / Energy Label



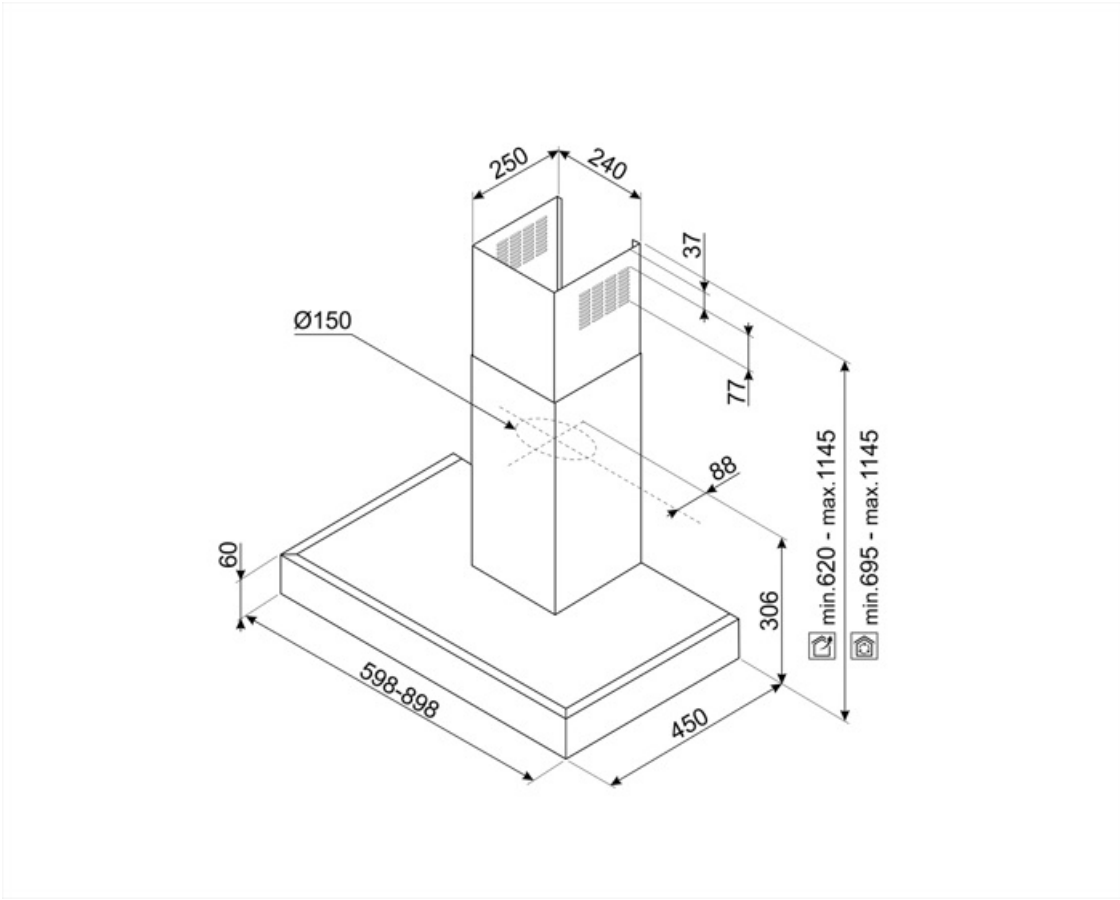
Annual Efficiency Consumption (AEChood)	77 kWh/a	Airbourne acoustical A-weighted sound Power Emission at minimum speed (SPEmin)	47 dBA
Energy efficiency class (EEC)	C	Airborne acoustical A-weighted sound Power Emission at maximum speed (SPEmax)	68 dBA
Fluid Dynamic Efficiency (FDE)	20,2	Time increase factor (F)	1,3
Fluid Dynamic Efficiency class (FDEC)	C	Measured air flow rate at best efficiency point (Qbep)	336 m ³ /h
Lighting Efficiency (LE)	76,1 lux/W	Measured air pressure at best efficiency point (Pbep)	334 Pa
Lighting Efficiency Class (LEC)	A	Measured electric power input at best efficiency point (Wbep)	155 W
Grease Filtering Efficiency (GFE)	76 %	Nominal Power consumption of the light system (WL)	5 W
Grease Filtering Efficiency Class (GFEC)	C	Average illumination of the light on the cooking surface (Emiddle)	381 lux
Air flow at minumum speed (Qmin)	240 m ³ /h	Sound power level at highest setting (Lwa)	68 dBA
Air flow at maximum speed (Qmax)	581 m ³ /h		

Electrical Connection

Plug	Not present	Frequency (Hz)	50-60 Hz
Electrical connection rating	180 W	Power supply cable length	1500 mm
Voltage	220-240 V		

Optional accessories

Chimney extension	KITCMNKAT
-------------------	-----------



Not included accessories



KITFC900

Charcoal filter Kit 1 piece high performances washable



KITFC999

Charcoal filter Kit 1 piece



KITCMNKAT

Chimney extension dimension 241 * 231 * 810 T-shape hood KAT & KATE
Stainless Steel

Symbols glossary (TT)



Filters: Model has filters to help remove grease from the steam emanating from the pans during cooking.



Lights: All cooker hoods feature lights to illuminate the cooking area or add to the ambience of the kitchen.



Charcoal filters: Extracting through charcoal filters or directly to the exterior lessens strong cooking odours considerably.



Warning light(s): to advise when filters need changing.