

KATE900CEX

Product family	Hood
Hood Type	Decorative wall hood
Design	T flat
Extraction	Extraction
Material	Stainless steel
Type of steel	Brushed
EAN code	8017709255060
Hood width	90 cm
Aesthetic	Universale
Colour	Stainless steel
Finishing	Satin
Serigraphy colour	Black
Logo	Silk screen



Controls

Control setting	Buttons
-----------------	---------

Program / Functions

No. of speeds	3
---------------	---

Technical Features



No. of lights	2	Anti-grease filters	Aluminium
Light type	LED	Filter replacement indicator	Yes
Light Power	2,5 W	Vent outlet	150 mm
Light color temperature scale (K)	3500 K	Minimum distance from GAS hob	650 mm
Free outlet maximum capacity	612 m ³ /h	Minimum distance from ELECTRIC hob	500 mm
Motor power	175 W	Non return valve	Yes
No. of filters	3		

	Extraction rate IEC 61591 [m ³ /h]	Noise level IEC 60704-2-13 [dBA]
Speed 1	241	46
Speed 2	370	56

Speed 3	590	68
------------	-----	----

Accessories included



Charcoal filters included Yes

Performance / Energy Label



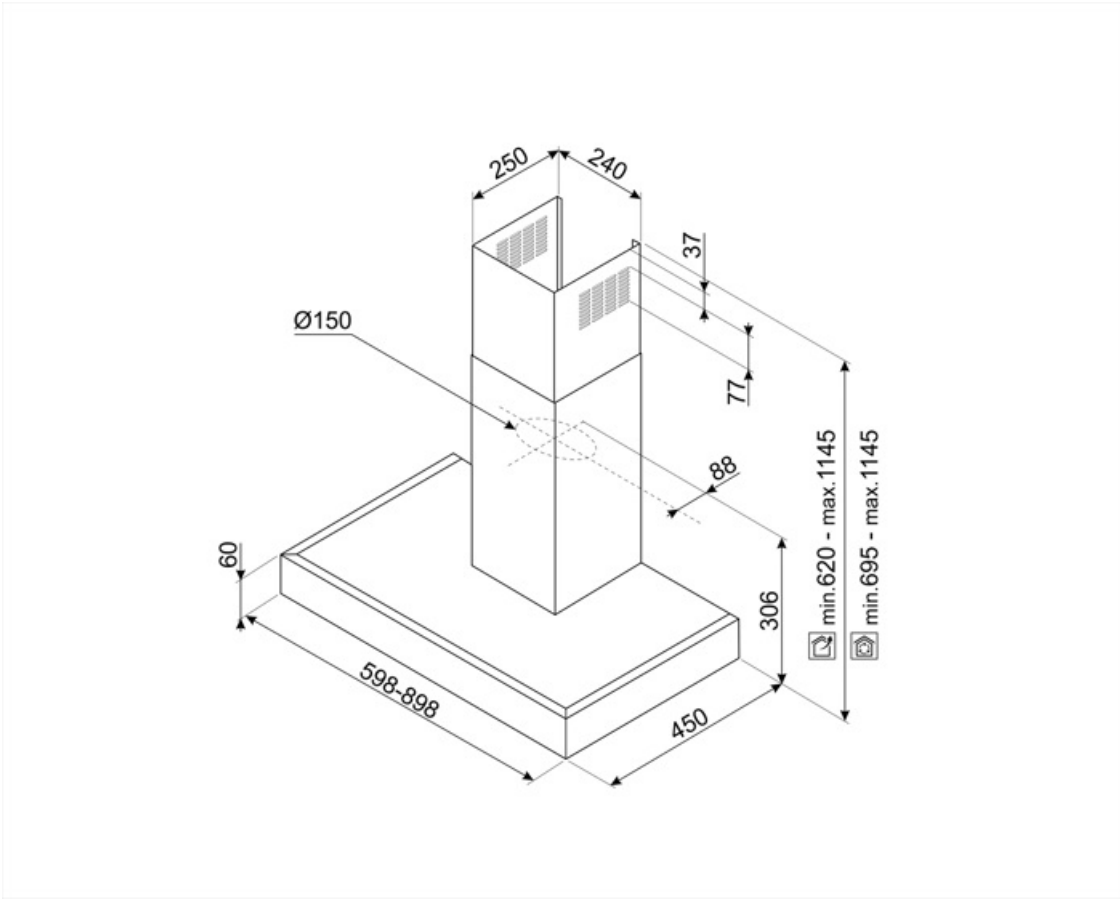
Annual Efficiency Consumption (AEChood)	77 kWh/a	Airbourne acoustical A-weighted sound Power Emission at minimum speed (SPEmin)	47 dBA
Energy efficiency class (EEC)	C	Airborne acoustical A-weighted sound Power Emission at maximum speed (SPEmax)	68 dBA
Fluid Dynamic Efficiency (FDE)	20,2	Time increase factor (F)	1,3
Fluid Dynamic Efficiency class (FDEC)	C	Measured air flow rate at best efficiency point (Qbep)	336 m ³ /h
Lighting Efficiency (LE)	76,1 lux/W	Measured air pressure at best efficiency point (Pbep)	334 Pa
Lighting Efficiency Class (LEC)	A	Measured electric power input at best efficiency point (Wbep)	155 W
Grease Filtering Efficiency (GFE)	76 %	Nominal Power consumption of the light system (WL)	5 W
Grease Filtering Efficiency Class (GFEC)	C	Average illumination of the light on the cooking surface (Emiddle)	381 lux
Air flow at minimum speed (Qmin)	240 m ³ /h	Sound power level at highest setting (Lwa)	68 dBA
Air flow at maximum speed (Qmax)	581 m ³ /h		

Electrical Connection

Electrical connection rating	180 W	Power supply cable length	1500 mm
Voltage	220-240 V	Plug	Not present
Frequency (Hz)	50-60 Hz		

Optional accessories

Chimney extension	KITCMNKAT
-------------------	-----------



Compatible Accessories



KITCMNKAT

Chimney extension dimension 241 * 231 * 810 T-shape hood KAT & KATE
Stainless Steel



KITFC900

Charcoal filter. Kit 1 piece. High performances. Regenerable. To be whased after 3 months of use with hot water. To be changed after 3 years of use.



KITFC999

Charcoal filter Kit 1 piece

Symbols glossary



Filters: Model has filters to help remove grease from the steam emanating from the pans during cooking.



Charcoal filters: Extracting through charcoal filters or directly to the exterior lessens strong cooking odours considerably.



Warning light(s): to advise when filters need changing.



Lights: All cooker hoods feature lights to illuminate the cooking area or add to the ambience of the kitchen.

