

KATE900EX

Product family	Hood
Hood Type	Chimney Cooker Hoods
Design	T flat
Extraction	Ducted out or re-circulation possible
Material	Stainless steel
Type of steel	Brushed
EAN code	8017709235147
Hood width	90 cm



Aesthetics

Aesthetics	Universal	Serigraphy colour	Black
Colour	Stainless steel	Logo	Silk screen
Finishing	Brushed		



Controls

Control setting	Buttons
-----------------	---------

Programs / Functions

No. of speeds	3
---------------	---

Technical Features

			
No. of lights	2	No. of filters	3
Light type	LED	Anti-grease filters	Aluminium
Light power	2.5 W	Vent outlet	150 mm
Light colour	3500 °K	Minimum distance from GAS hob	650 mm
Free outlet maximum capacity	612 m ³ /h	Minimum distance from ELECTRIC hob	500 mm
Motor power	175 W	Non return valve	Yes

	Extraction rate IEC 61591 [m³/h]	Noise level IEC 60704-2-13 [dBA]
Speed 1	241	46
Speed 2	370	56
Speed 3	590	67

Performance / Energy Label



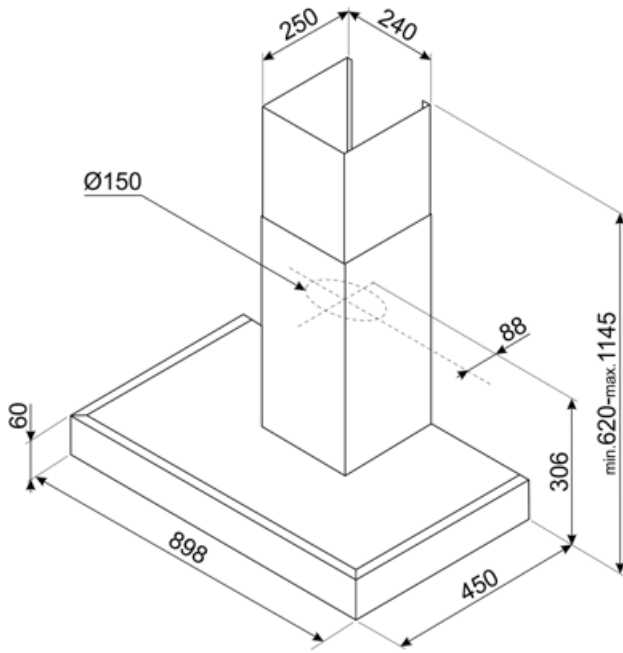
Annual Efficiency Consumption (AEChood)	77 kWh/year	Airbourne acoustical A-weighted sound Power Emission at minimum speed (SPEmin)	47 dBA
Energy efficiency class (EEC)	C	Airborne acoustical A-weighted sound Power Emission at maximum speed (SPEmax)	68 dBA
Fluid Dynamic Efficiency (FDE)	20.2	Time increase factor (F)	1.3
Fluid Dynamic Efficiency class (FDEC)	C	Measured air flow rate at best efficiency point (Qbep)	336 m³/h
Lighting Efficiency (LE)	76.1 lux/W	Measured air pressure at best efficiency point (Qbep)	334 Pa
Lighting Efficiency Class (LEC)	A	Measured electric power input at best efficiency point (Wbep)	155 W
Grease Filtering Efficiency (GFE)	76 %	Normal Power of the light system (WI)	5 W
Grease Filtering Efficiency Class (GFEC)	C	Average illumination of the light on the cooking surface (Emiddle)	381 lux
Air flow at minumum speed (Qmin)	240 m³/h	Sound power level at highest setting (Lwa)	68 dBA
Maximum extraction rate	581 m³/h		

Electrical Connection

Nominal power	180 W	Frequency (Hz)	50-60 Hz
Voltage	220-240 V	Power supply cable length	1500 mm

Optional accessories

Charcoal filter	KITFC900 - KITFC999	Chimney extension	KITCMNKAT
-----------------	---------------------	-------------------	-----------



Not included accessories



KITFC900

Charcoal filter Kit 1 piece high performances washable



KITCMNKAT

Chimney extension dimension 241 * 231 * 810 T-shape hood KAT & KATE Stainless Steel

Symbols glossary



Filters: Model has filters to help remove grease from the steam emanating from the pans during cooking.



Lights: All cooker hoods feature lights to illuminate the cooking area or add to the ambience of the kitchen.