

# KATE900EX

Product family	Hood
Hood Type	Decorative wall hood
Design	T flat
Extraction	Extraction
Material	Stainless steel
Type of steel	Brushed
EAN code	8017709235147
Hood width	90 cm
Aesthetic	Universale
Colour	Stainless steel
Finishing	Satin
Serigraphy colour	Black
Logo	Silk screen



## Controls

Control setting	Buttons
-----------------	---------

## Program / Functions

No. of speeds	3
---------------	---

## Technical Features

			
No. of lights	2	No. of filters	3
Light type	LED	Anti-grease filters	Aluminium
Light Power	2.5 W	Vent outlet	150 mm
Light color temperature scale (K)	3500 K	Minimum distance from GAS hob	650 mm
Free outlet maximum capacity	612 m <sup>3</sup> /h	Minimum distance from ELECTRIC hob	500 mm
Motor power	175 W	Non return valve	Yes

	Extraction rate IEC 61591 [m <sup>3</sup> /h]	Noise level IEC 60704-2-13 [dBA]
Speed 1	241	46
Speed 2	370	56

Speed 3	590	67
------------	-----	----

## Performance / Energy Label



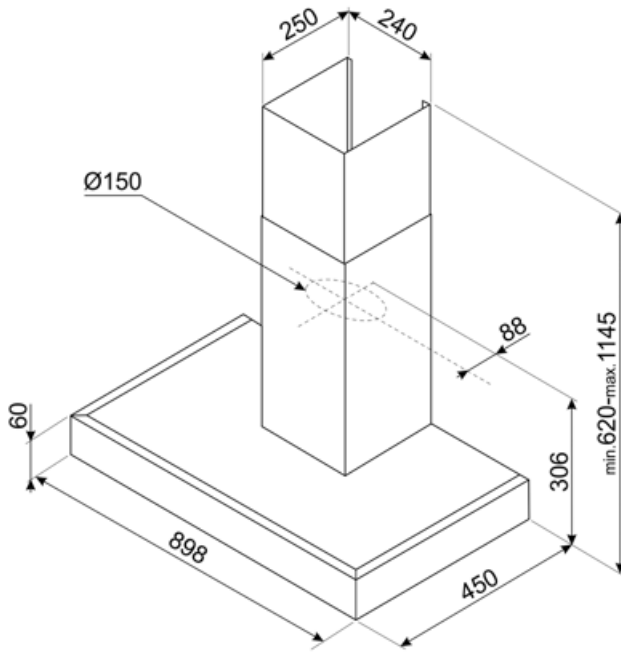
<b>Annual Efficiency Consumption (AEChood)</b>	77 kWh/a	<b>Airbourne acoustical A-weighted sound Power Emission at minimum speed (SPEmin)</b>	47 dBA
<b>Energy efficiency class (EEC)</b>	C	<b>Airborne acoustical A-weighted sound Power Emission at maximum speed (SPEmax)</b>	68 dBA
<b>Fluid Dynamic Efficiency (FDE)</b>	20.2	<b>Time increase factor (F)</b>	1.3
<b>Fluid Dynamic Efficiency class (FDEC)</b>	C	<b>Measured air flow rate at best efficiency point (Qbep)</b>	336 m <sup>3</sup> /h
<b>Lighting Efficiency (LE)</b>	76.1 lux/W	<b>Measured air pressure at best efficiency point (Pbep)</b>	334 Pa
<b>Lighting Efficiency Class (LEC)</b>	A	<b>Measured electric power input at best efficiency point (Wbep)</b>	155 W
<b>Grease Filtering Efficiency (GFE)</b>	76 %	<b>Nominal Power consumption of the light system (WL)</b>	5 W
<b>Grease Filtering Efficiency Class (GFEC)</b>	C	<b>Average illumination of the light on the cooking surface (Emiddle)</b>	381 lux
<b>Air flow at minumum speed (Qmin)</b>	240 m <sup>3</sup> /h	<b>Sound power level at highest setting (Lwa)</b>	68 dBA
<b>Air flow at maximum speed (Qmax)</b>	581 m <sup>3</sup> /h		

## Electrical Connection

<b>Electrical connection rating</b>	180 W	<b>Power supply cable length</b>	1500 mm
<b>Voltage</b>	220-240 V	<b>Plug</b>	Not present
<b>Frequency (Hz)</b>	50-60 Hz		

## Optional accessories

<b>Charcoal filter</b>	KITFC900 - KITFC999	<b>Chimney extension</b>	KITCMNKAT
------------------------	---------------------	--------------------------	-----------



---

## Compatible Accessories

---



### KITCMNKAT

Chimney extension dimension 241 \* 231  
\* 810 T-shape hood KAT & KATE  
Stainless Steel



### KITFC900

Charcoal filter. Kit 1 piece. High performances. Regenerable. To be whased after 3 months of use with hot water. To be changed after 3 years of use.

---

## Symbols glossary

---



**Filters:** Model has filters to help remove grease from the steam emanating from the pans during cooking.



**Lights:** All cooker hoods feature lights to illuminate the cooking area or add to the ambience of the kitchen.

