

KBT900BL

Product family	Hood
Hood Type	Chimney Cooker Hoods
Design	T flat
Extraction	Ducted out or re-circulation possible
Electronic control	Yes
Material	Stainless steel
EAN code	8017709358815
Hood width	90 cm
Aesthetics	Universal
Colour	Black
Logo	Silk screen



Controls

Control setting	Electronic buttons
-----------------	--------------------

Program / Functions

No. of speeds	3
Intensive speed	
24h air filter function	
Time-setting options	

Technical Features



No. of lights	2	Anti-grease filters	Aluminium
Light type	LED	Filter replacement indicator	Yes
Light power	1,3 W	Vent outlet	150 mm
Light colour temperature scale (K)	3000 K	Minimum distance from GAS hob	650 mm
Free outlet maximum capacity	820 m ³ /h	Minimum distance from ELECTRIC hob	500 mm
Motor power	230 W	Non return valve	Yes
No. of filters	3		

	Extraction rate IEC 61591 [m ³ /h]	Noise level IEC 60704-2-13 [dBA]
Speed 1	260	49
Speed 2	360	57
Speed 3	480	62
Intensive speed	713	72

Accessories Included

Tube reduction Yes

Performance / Energy Label

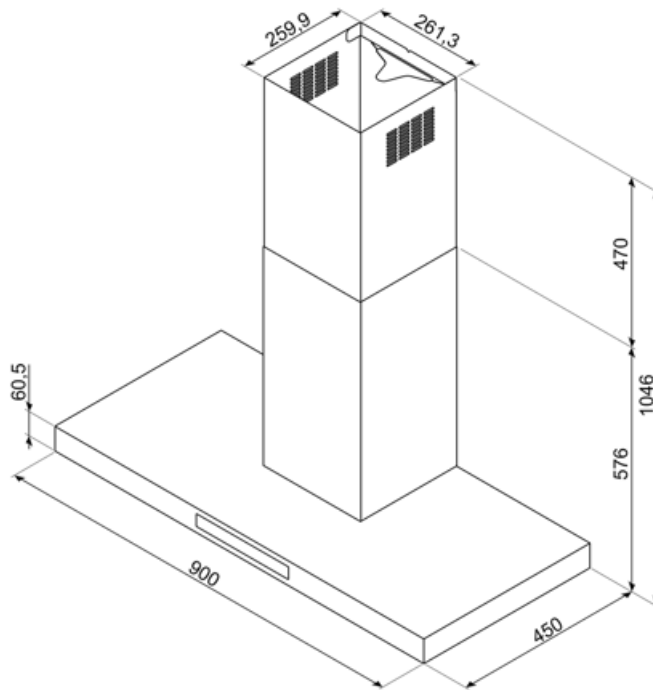


Annual Efficiency Consumption (AEChood)	53 kWh/year	Airbourne acoustical A-weighted sound Power Emission at minimum speed (SPEmin)	48 dBA
Energy efficiency class (EEC)	A	Airborne acoustical A-weighted sound Power Emission at maximum speed (SPEmax)	64 dBA
Fluid Dynamic Efficiency (FDE)	29,8	Airbourne acoustical A-weighted sound power emission at boost speed (SPEboost)	71 dBA
Fluid Dynamic Efficiency class (FDEC)	A	Time increase factor (F)	0,9
Lighting Efficiency (LE)	70,4 lux/W	Energy Efficiency Index per first cavity	52,0
Lighting Efficiency Class (LEC)	A	Measured air flow rate at best efficiency point (Qbep)	395 m ³ /h
Grease Filtering Efficiency (GFE)	79,7 %	Measured air pressure at best efficiency point (Qbep)	451 Pa
Grease Filtering Efficiency Class (GFEC)	C	Measured electric power input at best efficiency point (Wbep)	159 W
Air flow at minumum speed (Qmin)	261 m ³ /h	Normal Power of the light system (WI)	3 W
Maximum extraction rate	473 m ³ /h	Average illumination of the light on the cooking surface (Emiddle)	156 lux
Intensive extraction rate	686 m ³ /h	Sound power level at highest setting (Lwa)	71 dBA

Electrical Connection

Voltage 220-240 V

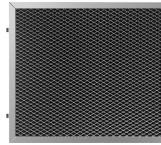
Frequency (Hz)	50-60 Hz	Power supply cable length	1500 mm
		Plug	No



Compatible Accessories

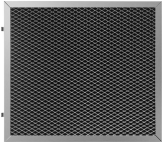
KITCEKBTBL

KITFCKBT



1 pcs of activated carbon filter for hood models KBT* / KBCT*

KITFCKBTR



1 pcs of Charcoal filter Regenerable* suitable for all the KBT/KBCT models. * It can be washed in the dishwasher up to 12 times and dry in the oven at max 90° for 60 min. dimension 237,5(H)x245x10 mm

Symbols glossary



24h: When selected this function refreshes the air for c. 10 minutes every hour over a 24 hour period, at minimum speed and an imperceptible noise level.



Filters: Model has filters to help remove grease from the steam emanating from the pans during cooking.



A: Product drying performance, measured from A+++ to D / G depending on the product family



Switch off automatically: A special setting, to run after the end of cooking for a pre-set time and then switch off automatically.



Warning light(s): to advise when filters need changing.



Lights: All cooker hoods feature lights to illuminate the cooking area or add to the ambience of the kitchen.



Intensive/turbo setting: when extra fast extraction is required.