

# KBTU36MW




Product family	Hood
Hood Type	Decorative wall hood
Design	T flat
Extraction	Extraction
Electronic control	Yes
Material	Painted material
Type of steel	Brushed
EAN code	8017709351526
Hood width	36 "
Aesthetic	Universale
Colour	Matt White
Logo	Embossed



## Controls

Control setting	Touch control back-lighted White
-----------------	-------------------------------------

## Program / Functions

No. of speeds	3
Intensive speed	
24h air filter function	
Time-setting options	

## Technical Features



No. of lights	2	No. of filters	3
Light type	LED	Anti-grease filters	Aluminium
Light Power	1.3 W	Filter replacement indicator	Yes
Dimmer mode	Yes	Vent outlet	5 7/8 "
Light color temperature scale (K)	3000 K	Minimum distance from GAS hob	750 "
Free outlet maximum capacity	553.5 CFM	Minimum distance from ELECTRIC hob	650 "
Motor power	350 W	Non return valve	Yes

□	□
---	---

## Accessories Included

Tube reduction                      Yes

## Performance / Energy Label

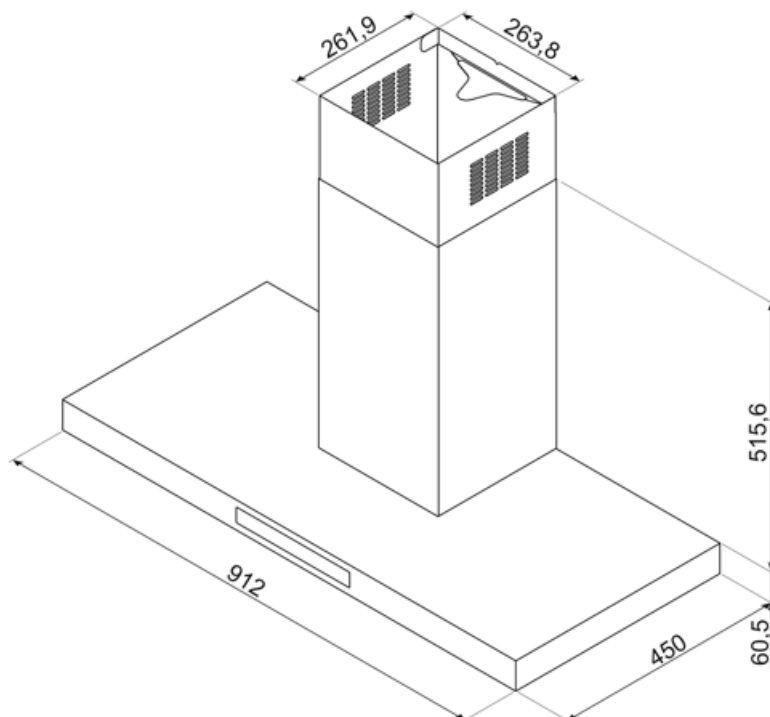
Annual Efficiency                      54 kWh/year  
Consumption (AEChood)

## Electrical Connection

Voltage	110-127 V	Power supply cable length	1500 "
Frequency (Hz)	60 Hz	Plug	(B) NEMA 5-15P

## Also available

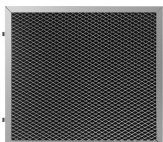
Alternative colours available                      Matt white, Matt Black



---

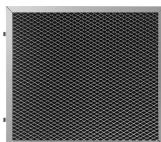
## Compatible Accessories

---



### KITFCKBT

1 pcs di filtro a carboni attivi per i modelli di cappe KBT\* / KBCT\*



### KITFCKBTR

1 pcs of Charcoal filter Regenerable\* suitable for all the KBT/KBCT models.  
\* It can be washed in the dishwasher up to 12 times and dry in the oven at max 90° for 60 min. dimension 237,5(H)x245x10 mm

---

## Alternative products

---



**KBTU36AN**

Colour: Anthracite



**KBTU36X**

Colour: Stainless steel

---

## Symbols glossary

---

- |  |   |   |   |
|--|---|---|---|
|  | 24h: When selected this function refreshes the air for c. 10 minutes every hour over a 24 hour period, at minimum speed and an imperceptible noise level. |  | Filters: Model has filters to help remove grease from the steam emanating from the pans during cooking. |
|  | Switch off automatically: A special setting, to run after the end of cooking for a pre-set time and then switch off automatically.                        |  | Warning light(s): to advise when filters need changing.   |
|  | Lights: All cooker hoods feature lights to illuminate the cooking area or add to the ambience of the kitchen.   |  | Intensive/turbo setting: when extra fast extraction is required.  |
|  | Dimmering Lights  |   |   |