

KC16AOE

Product family	Hood
Hood Type	Decorative wall hood
Design	Chimney
Extraction	Extraction
Material	Heat-moulded
EAN code	8017709211721
Aesthetic	Cortina
Colour	Anthracite
Components finishing	Antique brass
Logo	Applied





Controls

Control setting	Control knobs	Control knobs	Cortina
No. of controls	2	Controls colour	Anthracite

Programs / Functions

No. of speeds	3
Intensive speed	

Technical Features

			
No. of lights	2	Motor power	275 W
Light type	LED	No. of filters	2
Light Power	1 W	Anti-grease filters	Aluminium
Light color temperature scale (°K)	3000 °K	Vent outlet	150 mm
Free outlet maximum capacity	820 m ³ /h	Non return valve	Yes

	Extraction rate IEC 61591 [m ³ /h]	Noise level IEC 60704-2-13 [dBA]
Speed 1	337	50
Speed 2	439	57
Speed 3	582	64

Intensive speed	798	71
-----------------	-----	----

Performance / Energy Label



Annual Efficiency Consumption (AEChood)	56 kWh/a	Airborne acoustical A-weighted sound Power Emission at maximum speed (SPEmax)	64 dBA
Energy efficiency class (EEC)	A	Airbourne acoustical A-weighted sound power emission at boost speed (SPEboost)	71 dBA
Fluid Dynamic Efficiency (FDE)	25,9	Power consumption in stand-by mode (Ps)	1,00 W
Fluid Dynamic Efficiency class (FDEC)	A	Time increase factor (F)	1,00
Lighting Efficiency (LE)	128,6 lux/W	Energy Efficiency Index	52
Lighting Efficiency Class (LEC)	A	Measured air flow rate at best efficiency point (Qbep)	412 m³/h
Grease Filtering Efficiency (GFE)	78 %	Measured air pressure at best efficiency point (Pbep)	451 Pa
Grease Filtering Efficiency Class (GFEC)	C	Measured electric power input at best efficiency point (Wbep)	166 W
Air flow at minumum speed (Qmin)	337 m³/h	Nominal Power consumption of the light system (WL)	2 W
Air flow at maximum speed (Qmax)	582 m³/h	Average illumination of the light on the cooking surface (Emiddle)	283 lux
Air flow at boost speed (Qboost)	798 m³/h	Sound power level at highest setting (Lwa)	64 dBA
Airbourne acoustical A-weighted sound Power Emission at minimum speed (SPEmin)	50 dBA		

Electrical Connection

Plug	Not present	Frequency (Hz)	50-60 Hz
Electrical connection rating	277 W	Power supply cable length	1000 mm
Voltage	220-240 V		

Also available

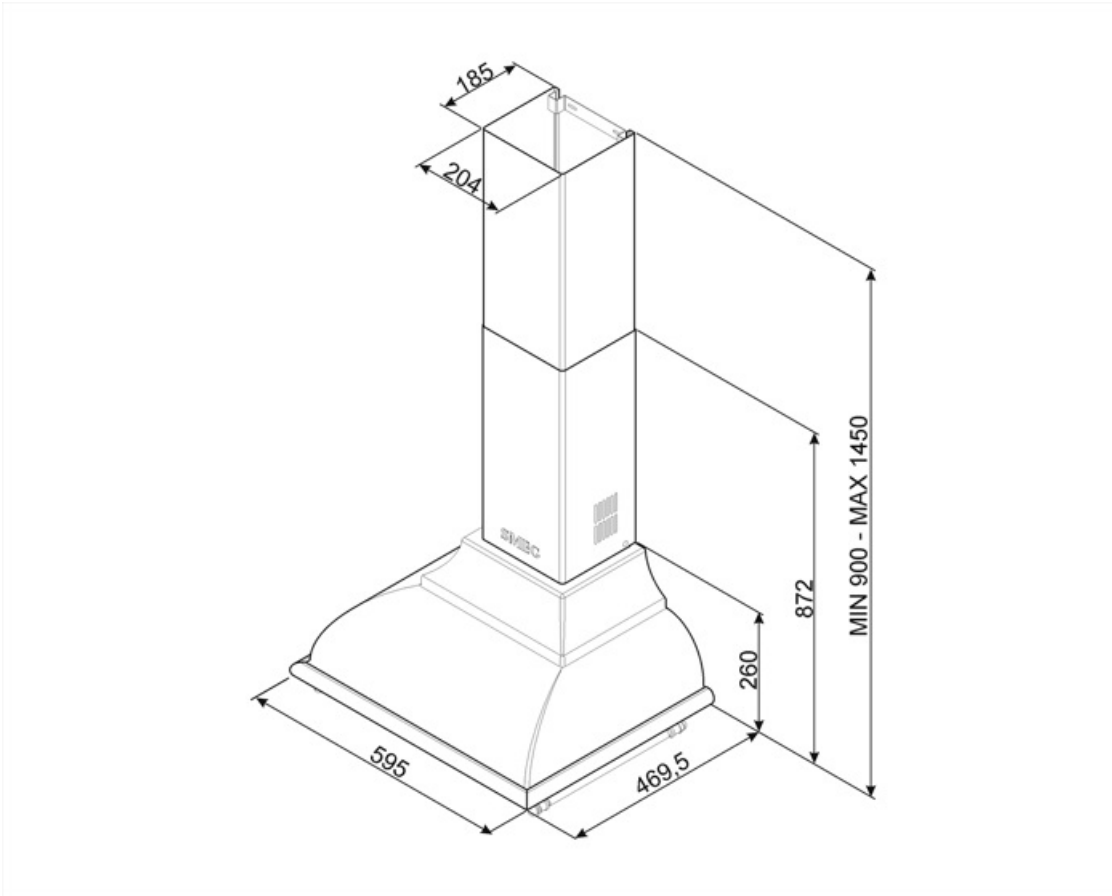
Alternative colours available	Cream	Available colours	KC16AOE
-------------------------------	-------	-------------------	---------

Optional accessories

Charcoal filter	FLT6
-----------------	------

Kit with aesthetic
components

KITKCS-2/ KITKCX-2/
KITLOGOCR/ KITLOGOAS



Compatible Accessories



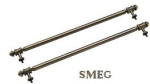
FLT6

Round Charcoal filters (kit 2 pieces)



KITALLFC

Universal Charcoal filter Stainless Steel AISI 304 The filter can be washed in dishwasher 50 °C (water and suitable detergent) and to dry it put in the oven 180°C 25 minutes



KITKCO-2

KIT LOGO & HANDRAIL BRASS FINISHING



KITKCX-2

KIT LOGO & HANDRAIL CHROME FINISHING



KITLOGOAS

KIT LOGO ANTIQUE SILVER FINISHING



KITLOGOCR

KIT LOGO CHROME FINISHING

Symbols glossary



Filters: Model has filters to help remove grease from the steam emanating from the pans during cooking.



Lights: All cooker hoods feature lights to illuminate the cooking area or add to the ambience of the kitchen.



Intensive/turbo setting: when extra fast extraction is required.