

KC19AOE

Product family	Hood
Hood Type	Decorative wall hood
Design	Chimney
Extraction	Extraction
Material	Heat-moulded
Type of steel	Brushed
EAN code	8017709211745
Aesthetic	Cortina
Colour	Anthracite
Components finishing	Antique brass
Logo	Applied



Controls

Control setting	Control knobs	Control knobs	Cortina
No. of controls	2	Controls colour	Anthracite

Programs / Functions

No. of speeds	3
Intensive speed	

Technical Features

			
No. of lights	2	No. of filters	3
Light type	LED	Anti-grease filters	Aluminium
Light Power	1 W	Vent outlet	150 mm
Light color temperature scale (°K)	3000 °K	Minimum distance from GAS hob	750 mm
Free outlet maximum capacity	820 m ³ /h	Minimum distance from ELECTRIC hob	650 mm
Motor power	275 W	Non return valve	Yes

	Extraction rate IEC 61591 [m ³ /h]	Noise level IEC 60704-2-13 [dBA]
Speed 1	326	50
Speed 2	439	57

Speed 3	549	62
Intensive speed	794	71

Performance / Energy Label



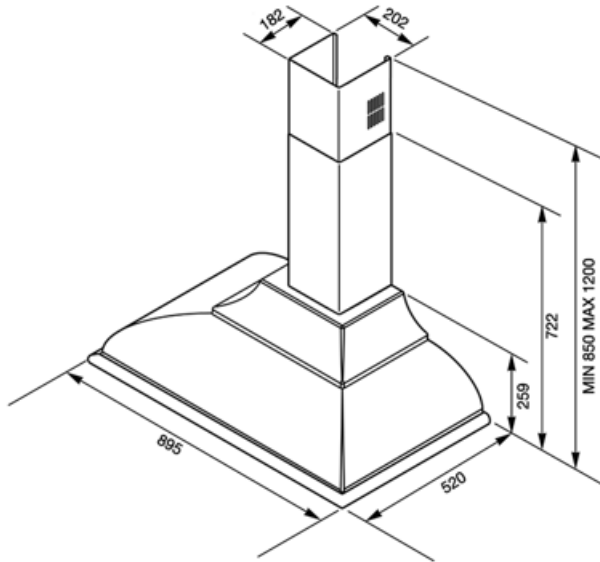
Annual Efficiency Consumption (AEChood)	58 kWh/a	Airbourne acoustical A-weighted sound Power Emission at minimum speed (SPEmin)	50 dBA
Energy efficiency class (EEC)	A	Airborne acoustical A-weighted sound Power Emission at maximum speed (SPEmax)	62 dBA
Fluid Dynamic Efficiency (FDE)	31.9	Airbourne acoustical A-weighted sound power emission at boost speed (SPEboost)	71 dBA
Fluid Dynamic Efficiency class (FDEC)	A	Time increase factor (F)	0.9
Lighting Efficiency (LE)	83.6 lux/W	Energy Efficiency Index	53.1
Lighting Efficiency Class (LEC)	A	Measured air flow rate at best efficiency point (Qbep)	430 m ³ /h
Grease Filtering Efficiency (GFE)	77.9 %	Measured air pressure at best efficiency point (Pbep)	457 Pa
Grease Filtering Efficiency Class (GFEC)	C	Measured electric power input at best efficiency point (Wbep)	171 W
Air flow at mininum speed (Qmin)	326 m ³ /h	Nominal Power consumption of the light system (WL)	2 W
Air flow at maximum speed (Qmax)	549 m ³ /h	Average illumination of the light on the cooking surface (Emiddle)	184 lux
Air flow at boost speed (Qboost)	794 m ³ /h	Sound power level at highest setting (Lwa)	62 dBA

Electrical Connection

Plug	Not present	Frequency (Hz)	50-60 Hz
Electrical connection rating	277 W	Power supply cable length	1000 mm
Voltage	220-240 V		

Also available

Alternative colours available	White, Cream, Copper, Brass, Red Wine	Available colours	KC19BSE-KC19OTE-KC19POE-KC19RAE-KC19RWE
-------------------------------	---------------------------------------	-------------------	---



Compatible Accessories



FLT6

Round Charcoal filters (kit 2 pieces)



KITALLFC

Universal Charcoal filter Stainless Steel AISI 304 The filter can be washed in dishwasher 50 °C (water and suitable detergent) and to dry it put in the oven 180°C 25 minutes



KITKCX-2

KIT LOGO & HANDRAIL CHROME FINISHING



KITLOGOAS

KIT LOGO ANTIQUE SILVER FINISHING



KITLOGOCR

KIT LOGO CHROME FINISHING

Symbols glossary



Lights: All cooker hoods feature lights to illuminate the cooking area or add to the ambience of the kitchen.



Filters: Model has filters to help remove grease from the steam emanating from the pans during cooking.



Intensive/turbo setting: when extra fast extraction is required.