

# KC19POE

Product family	Hood
Hood Type	Decorative wall hood
Design	Chimney
Extraction	Extraction
Material	Heat-moulded
Type of steel	Brushed
EAN code	8017709211752
Hood width	90 cm



## Aesthetics

Aesthetic	Cortina	Components finishing	Antique brass
Colour	Cream	Logo	Applied

## Controls

Control setting	Control knobs	Control knobs	Cortina
No. of controls	2	Controls colour	Cream

## Programme / Functions

No. of speeds	3
Intensive speed	

## Technical Features

			
No. of lights	2	No. of filters	3
Light type	LED	Anti-grease filters	Aluminium
Light Power	1 W	Vent outlet	150 mm
Light color temperature scale (°K)	3000 °K	Minimum distance from GAS hob	750 mm
Free outlet maximum capacity	820 m <sup>3</sup> /h	Minimum distance from ELECTRIC hob	650 mm
Motor power	275 W	Non return valve	Yes

	Extraction rate IEC 61591 [m <sup>3</sup> /h]	Noise level IEC 60704-2-13 [dB(A)]
Speed 1	326	50
Speed 2	439	57
Speed 3	549	62
Intensive speed	794	71

## Performance / Energy Label

A

Annual Efficiency Consumption (AEChood)	58 kWh/a	Airbourne acoustical A-weighted sound Power Emission at minimum speed (SPEmin)	50 dB(A)
Energy efficiency class (EEC)	A	Airborne acoustical A-weighted sound Power Emission at maximum speed (SPEmax)	62 dB(A)
Fluid Dynamic Efficiency (FDE)	31,9	Airbourne acoustical A-weighted sound power emission at boost speed (SPEboost)	71 dB(A)
Fluid Dynamic Efficiency class (FDEC)	A	Time increase factor (F)	0,9
Lighting Efficiency (LE)	83,6 lux/W	Energy Efficiency Index	53,1
Lighting Efficiency Class (LEC)	A	Measured air flow rate at best efficiency point (Qbep)	430 m <sup>3</sup> /h
Grease Filtering Efficiency (GFE)	77,9 %	Measured air pressure at best efficiency point (Pbep)	434 Pa
Grease Filtering Efficiency Class (GFEC)	C	Measured electric power input at best efficiency point (Wbep)	171 W
Air flow at minumum speed (Qmin)	326 m <sup>3</sup> /h	Nominal Power consumption of the light system (WL)	2 W
Air flow at maximum speed (Qmax)	549 m <sup>3</sup> /h	Average illumination of the light on the cooking surface (Emiddle)	184 lux
Air flow at boost speed (Qboost)	794 m <sup>3</sup> /h	Sound power level at highest setting (Lwa)	62 dB(A)

## Electrical Connection

Electrical connection rating	277 W	Frequency (Hz)	50-60 Hz
Voltage	220-240 V	Power supply cable length	1000 mm

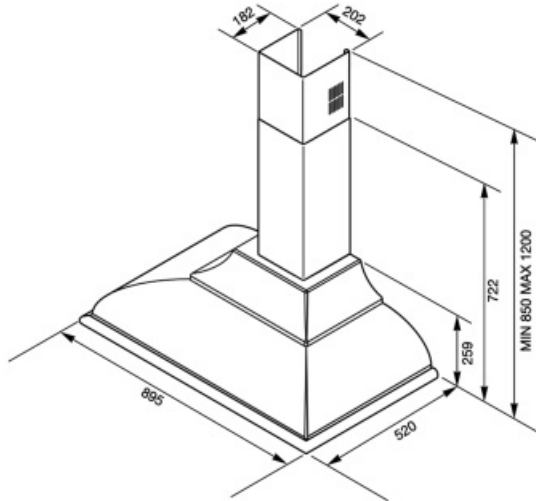
## Also available

Alternative colours available

White, Anthracite, Copper, Brass, Red Wine

Available colours

KC19BSE-KC19OTE-  
KC19POE-KC19RAE-  
KC19RWE



---

## Not included accessories

---



**KITLOGOCR**  
KIT LOGO CHROME FINISHING



**FLT6**  
Round Charcoal filters (kit 2 pieces)



**KITKCS-2**  
KIT LOGO & HANDRAIL ANTIQUE  
SILVER FINISHING



**KITLOGOAS**  
KIT LOGO ANTIQUE SILVER  
FINISHING



**KITKCX-2**  
KIT LOGO & HANDRAIL CHROME  
FINISHING



**KITALLFC**  
Universal Charcoal filter Stainless  
Steel AISI 304 The filter can be  
washed in dishwasher 50 °C (water  
and suitable detergent) and to dry it  
put in the oven 180°C 25 minutes

## Symbols glossary (TT)

---



A: Product drying performance, measured from A+++ to D / G depending on the product family



Lights: All cooker hoods feature lights to illuminate the cooking area or add to the ambience of the kitchen.



Filters: Model has filters to help remove grease from the steam emanating from the pans during cooking.



Intensive/turbo setting: when extra fast extraction is required.