

# KCH62X

Product family	Hood
Hood Type	Decorative wall hood
Design	Chimney
Extraction	Extraction
Electronic control	Yes
Material	Stainless steel
Type of steel	Brushed
EAN code	8017709310288
Hood width	60 cm
Aesthetic	Universale
Colour	Stainless steel
Finishing	Satin
Serigraphy colour	Black
Logo	Silk screen



## Controls

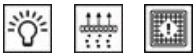


Control setting	Electronic buttons	Display	1 a LED
Led color	White		

## Program / Functions

No. of speeds	3
Intensive speed	

## Technical Features



No. of lights	2	Anti-grease filters	Aluminium
Light type	LED	Filter replacement indicator	Yes
Light Power	2 W	Vent outlet	150 mm
Light color temperature scale (K)	3500 K	Minimum distance from GAS hob	650 mm
Free outlet maximum capacity	650 m <sup>3</sup> /h	Minimum distance from ELECTRIC hob	500 mm
Motor power	250 W	Non return valve	Yes
No. of filters	3		

	Extraction rate IEC 61591 [m <sup>3</sup> /h]	Noise level IEC 60704-2-13 [dBA]
Speed 1	245	46

Speed 2	375	56
Speed 3	500	64
Intensive speed	600	68

## Accessories included



Charcoal filters included Yes

## Performance / Energy Label



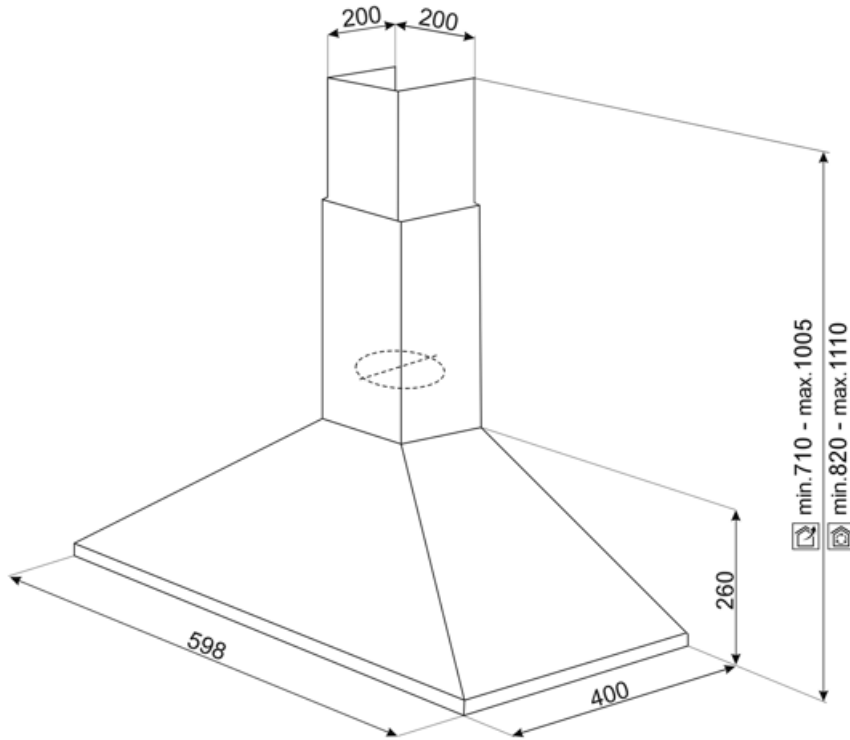
Annual Efficiency Consumption (AEChood)	75 kWh/a	Airbourne acoustical A-weighted sound Power Emission at minimum speed (SPEmin)	46 dBA
Energy efficiency class (EEC)	B	Airborne acoustical A-weighted sound Power Emission at maximum speed (SPEmax)	64 dBA
Fluid Dynamic Efficiency (FDE)	21.1	Airbourne acoustical A-weighted sound power emission at boost speed (SPEboost)	68 dBA
Fluid Dynamic Efficiency class (FDEC)	C	Time increase factor (F)	1.2
Lighting Efficiency (LE)	76.1 lux/W	Energy Efficiency Index	69.6
Lighting Efficiency Class (LEC)	A	Measured air flow rate at best efficiency point (Qbep)	370 m <sup>3</sup> /h
Grease Filtering Efficiency (GFE)	75.1 %	Measured air pressure at best efficiency point (Pbep)	335 Pa
Grease Filtering Efficiency Class (GFEC)	C	Measured electric power input at best efficiency point (Wbep)	163 W
Air flow at mininum speed (Qmin)	245 m <sup>3</sup> /h	Nominal Power consumption of the light system (WL)	5 W
Air flow at maximum speed (Qmax)	500 m <sup>3</sup> /h	Average illumination of the light on the cooking surface (Emiddle)	381 lux
Air flow at boost speed (Qboost)	600 m <sup>3</sup> /h	Sound power level at highest setting (Lwa)	64 dBA

## Electrical Connection

Electrical connection rating	255 W	Power supply cable length	1500 mm
		Plug	Not present

Voltage 220-240 V

Frequency (Hz) 50-60 Hz



---

## Compatible Accessories

---



**KITFC500**

Round Charcoal filters (kit 2 pieces)

---

## Symbols glossary

---



**Filters:** Model has filters to help remove grease from the steam emanating from the pans during cooking.



**Charcoal filters:** Extracting through charcoal filters or directly to the exterior lessens strong cooking odours considerably.



**LED display:** to show programmes, functions and options selected and the time to the end of the cycle.



**Warning light(s):** to advise when filters need changing.



**Lights:** All cooker hoods feature lights to illuminate the cooking area or add to the ambience of the kitchen.



**Intensive/turbo setting:** when extra fast extraction is required.

