

KCI19AOE

| | |
|----------------------|------------------------|
| Product family | Hood |
| Hood Type | Decorative island hood |
| Design | Rounded |
| Extraction | Extraction |
| Material | Heat-moulded |
| EAN code | 8017709212506 |
| Aesthetic | Cortina |
| Colour | Anthracite |
| Components finishing | Antique brass |
| Logo | Applied |



Controls

| | | | |
|-----------------|---------------|-----------------|------------|
| Control setting | Control knobs | Control knobs | Cortina |
| No. of controls | 2 | Controls colour | Anthracite |

Programs / Functions

| | |
|-----------------|---|
| No. of speeds | 3 |
| Intensive speed |  |

Technical Features

| | | | |
|--|---|------------------------------------|-----------|
|  |  | | |
| No. of lights | 4 | No. of filters | 3 |
| Light type | LED | Anti-grease filters | Aluminium |
| Light Power | 1 W | Vent outlet | 150 mm |
| Light color temperature scale (°K) | 3000 °K | Minimum distance from GAS hob | 750 mm |
| Free outlet maximum capacity | 820 m ³ /h | Minimum distance from ELECTRIC hob | 650 mm |
| Motor power | 275 W | Non return valve | Yes |

| | Extraction rate IEC 61591 [m ³ /h] | Noise level IEC 60704-2-13 [dBA] |
|---------|---|----------------------------------|
| Speed 1 | 321 | 47 |
| Speed 2 | 385 | 59 |

| | | |
|-----------------|-----|----|
| Speed 3 | 549 | 61 |
| Intensive speed | 796 | 70 |

Accessories Included

Tube reduction Yes

Performance / Energy Label

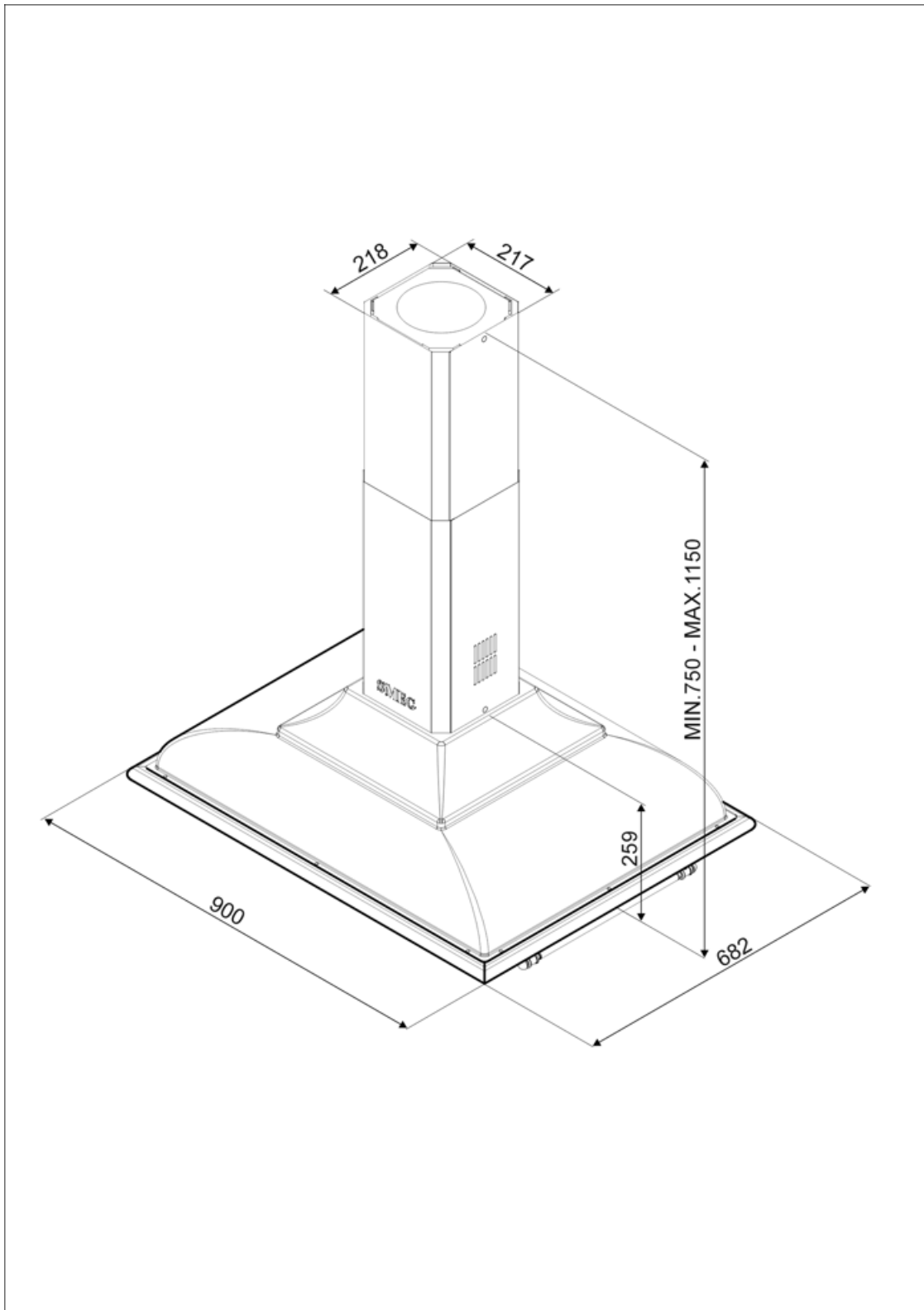


| | | | |
|--|-----------------------|--|-----------------------|
| Annual Efficiency Consumption (AEChood) | 59 kWh/a | Airbourne acoustical A-weighted sound Power Emission at minimum speed (SPEmin) | 47 dBA |
| Energy efficiency class (EEC) | A | Airborne acoustical A-weighted sound Power Emission at maximum speed (SPEmax) | 61 dBA |
| Fluid Dynamic Efficiency (FDE) | 25,9 | Airbourne acoustical A-weighted sound power emission at boost speed (SPEboost) | 70 dBA |
| Fluid Dynamic Efficiency class (FDEC) | A | Time increase factor (F) | 0,9 |
| Lighting Efficiency (LE) | 68,6 lux/W | Energy Efficiency Index | 53,1 |
| Lighting Efficiency Class (LEC) | A | Measured air flow rate at best efficiency point (Qbep) | 426 m ³ /h |
| Grease Filtering Efficiency (GFE) | 78 % | Measured air pressure at best efficiency point (Pbep) | 453 Pa |
| Grease Filtering Efficiency Class (GFEC) | C | Measured electric power input at best efficiency point (Wbep) | 170 W |
| Air flow at mininum speed (Qmin) | 321 m ³ /h | Nominal Power consumption of the light system (WL) | 4 W |
| Air flow at maximum speed (Qmax) | 549 m ³ /h | Average illumination of the light on the cooking surface (Emiddle) | 302 lux |
| Air flow at boost speed (Qboost) | 796 m ³ /h | Sound power level at highest setting (Lwa) | 61 dBA |

Electrical Connection

| | | | |
|------------------------------|-------------|---------------------------|----------|
| Plug | Not present | Frequency (Hz) | 50-60 Hz |
| Electrical connection rating | 279 W | Power supply cable length | 1000 mm |
| Voltage | 220-240 V | | |

Also available



Compatible Accessories

FLT6

Round Charcoal filters (kit 2 pieces)



KITLOGOCR

KIT LOGO CHROME FINISHING



KITLOGOAS

KIT LOGO ANTIQUE SILVER
FINISHING



Symbols glossary



Lights: All cooker hoods feature lights to illuminate the cooking area or add to the ambience of the kitchen.



Filters: Model has filters to help remove grease from the steam emanating from the pans during cooking.



Intensive/turbo setting: when extra fast extraction is required.