

KCORN90VX

Product family	Hood
Tipo de Exaustor	90 x 90cm corner hood
Design	T flat
Extraction	Extraction
Electronic control	No
Perimeter extraction	No
Material	Glass
Type of steel	Brushed
EAN code	8017709208752
Aesthetic	Universal
Colour	Transparent
Acabamento	Glass
Glass Type	Clear
Cor da serigrafia	Serigrafia em preto
Logotipo	Logotipo embutido



Controls

Control setting	Buttons	Display	No
-----------------	---------	---------	----

Program / Functions

No. of speeds	3
Intensive speed	
24h air filter function	No
Other functions	No
Time-setting options	No
Other options	No
Ventilação automática	No

Technical Features



Hood without motor	No	No. of filters	2
Remote motor	No	Anti-grease filters	Aluminium
No. of lights	4	Charcoal filters included	No
Light type	Halogen	Filter replacement indicator	No
Light Power	20 W	Vent outlet	150 mm
Dimmer mode	No	Minimum distance from GAS hob	750 mm
Free outlet maximum capacity	690 m ³ /h	Minimum distance from ELECTRIC hob	650 mm
Motor power	250 W		

Non return valve

No

	Extraction rate IEC 61591 [m ³ /h]	Noise level IEC 60704-2-13 [dBA]
Speed 1	260	45
Speed 2	405	56
Speed 3	545	63
Intensive speed	660	68

Accessories Included

Remote control

No

Tube reduction

Yes

Sliding door

No

Performance / Energy Label



Consumo anual de energía (CAE exaustor) 161 kWh/a

Energy efficiency class (EEC) D

Fluid Dynamic Efficiency (FDE) 18,6

Fluid Dynamic Efficiency class (FDEC) C

Lighting Efficiency (LE) 5 lux/W

Lighting Efficiency Class (LEC) F

Grease Filtering Efficiency (GFE) 76 %

Grease Filtering Efficiency Class (GFEC) C

Air flow at minimum speed (Qmin) 260 m³/h

Air flow at maximum speed (Qmax) 545 m³/h

Air flow at boost speed (Qboost) 660 m³/h

Airbourne acoustical A-weighted sound Power Emission at minimum speed (SPEmin) 45 dBA

Airborne acoustical A-weighted sound Power Emission at maximum speed (SPEmax) 63 dBA

Airbourne acoustical A-weighted sound power emission at boost speed (SPEboost) 68 dBA

Time increase factor (F) 1,00

Energy Efficiency Index 90,6

Measured air flow rate at best efficiency point (Qbep) 398 m³/h

Measured air pressure at best efficiency point (Pbep) 354 Pa

Measured electric power input at best efficiency point (Wbep) 211 W

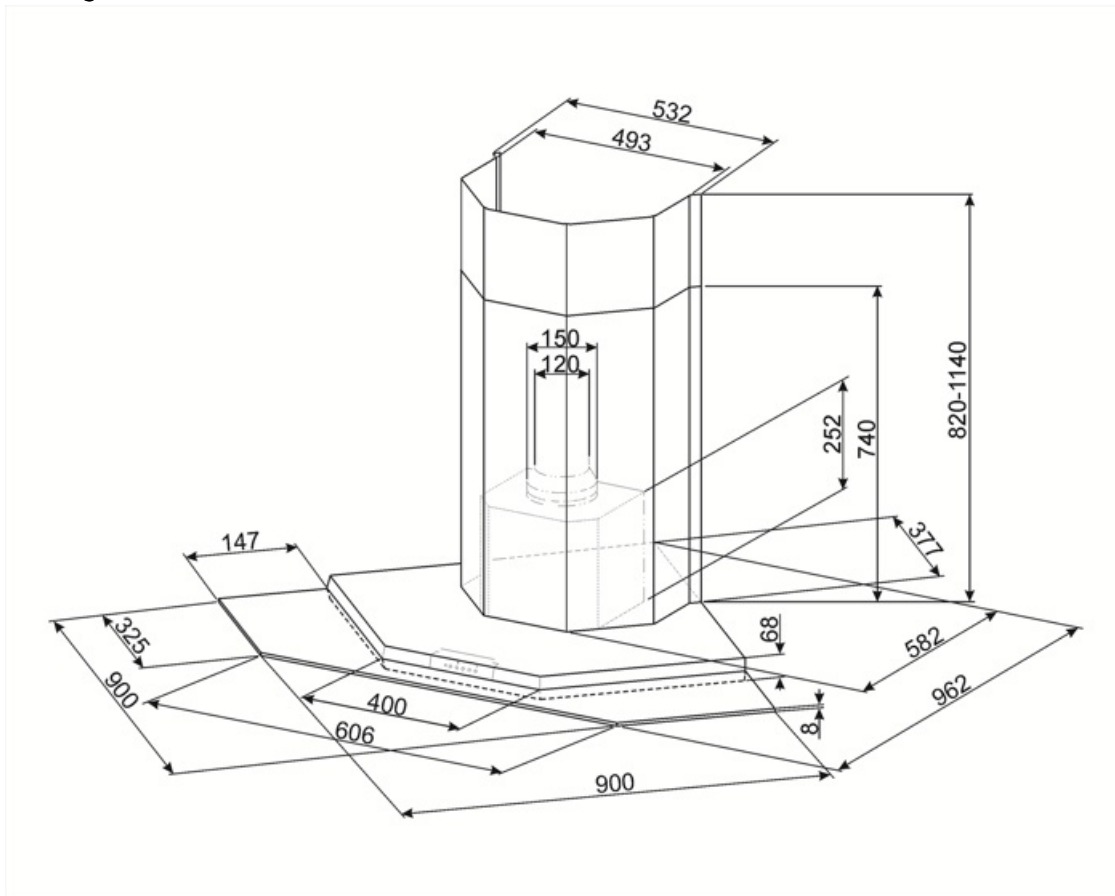
Nominal Power consumption of the light system (WL) 80 W

Average illumination of the light on the cooking surface (Emiddle) 400 lux

Sound power level at highest setting (Lwa) 63 dBA

Electrical Connection

Plug	No	Frequency (Hz)	50 Hz
Electrical connection rating	330 W	Comprimento do cabo de alimentação	1500 mm
Voltage	220-240 V		



Compatible Accessories



KITFC161

Kit de filtros de carvão 2 peças

Symbols glossary



Filtros: O modelo tem filtros para ajudar a remover a graxa do vapor que emana das panelas durante o cozimento.



Luzes: Todos os exaustores possuem luzes para iluminar a área de cozinhar ou adicionar ao ambiente da cozinha.



Configuração intensiva/turbo: quando a extração extra rápida é necessária.