

# KD120XU

|                |                      |
|----------------|----------------------|
| Product family | Hood                 |
| Hood Type      | Decorative wall hood |
| Design         | Chimney              |
| Extraction     | Extraction           |
| Material       | Stainless steel      |
| Type of steel  | Brushed              |
| EAN code       | 8017709120399        |
| Hood width     | 48 "                 |



## Aesthetics

|                            |                                      |                        |                   |
|----------------------------|--------------------------------------|------------------------|-------------------|
| Aesthetic Colour Finishing | Classica<br>Stainless steel<br>Satin | Serigraphy colour Logo | Black<br>Embossed |
|----------------------------|--------------------------------------|------------------------|-------------------|

## Controls

|                 |               |                 |              |
|-----------------|---------------|-----------------|--------------|
| Control setting | Control knobs | Control knobs   | Classic      |
| No. of controls | 2             | Controls colour | Steel effect |

## Technical Features

|  |   |                                    |           |
|--|---|------------------------------------|-----------|
|  |  |                                    |           |
| No. of lights  | 2   | No. of filters                     | 3         |
| Light type   | Halogen   | Anti-grease filters                | Aluminium |
| Light Power  | 20 W  | Vent outlet                        | 5 7/8 "   |
| Light color temperature scale (°K)   | 3000 °K   | Minimum distance from GAS hob      | 650 "     |
| Free outlet maximum capacity   | 677 CFM   | Minimum distance from ELECTRIC hob | 650 "     |
| Motor power  | 455 W   | Non return valve                   | Yes       |

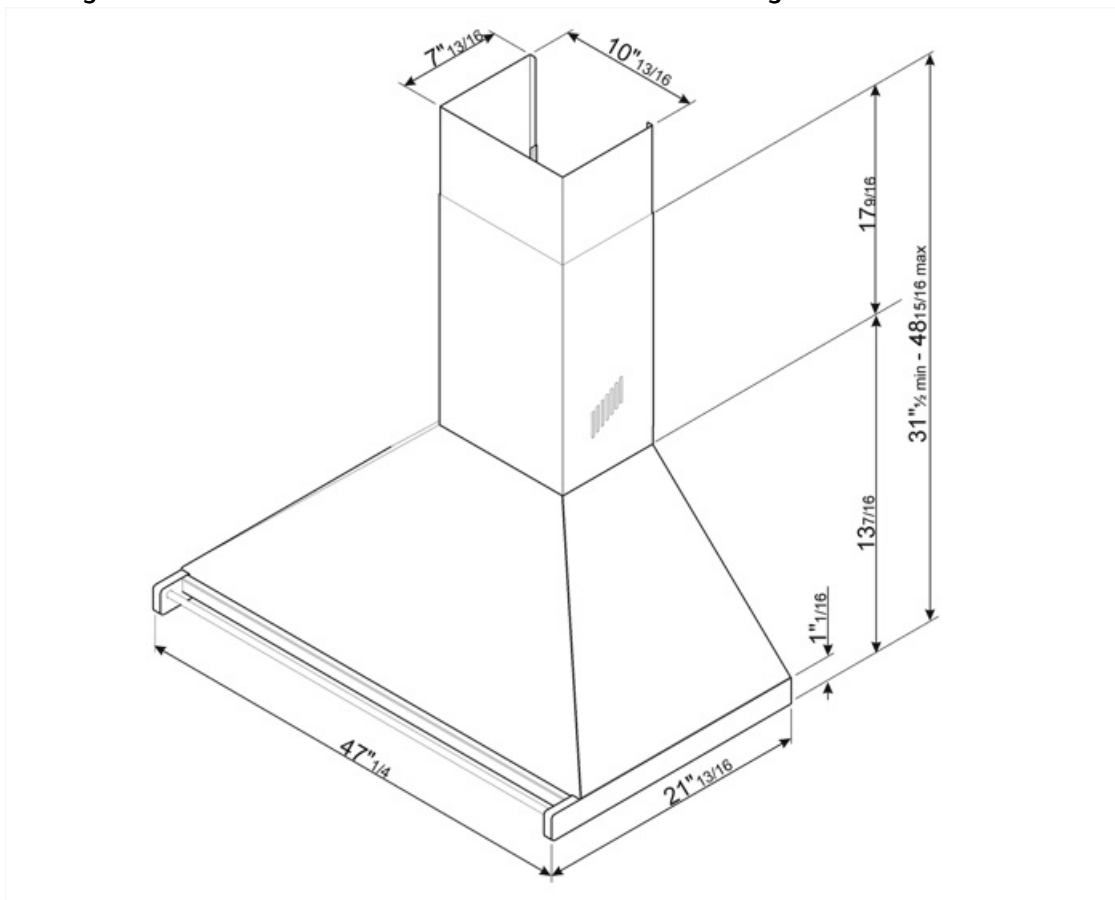
|         | Extraction rate IEC 61591 [CFM] | Noise level IEC 60704-2-13 [dBA] |
|---------|---------------------------------|----------------------------------|
| Speed 1 | 275.5                           | 48                               |

|         |       |    |
|---------|-------|----|
| Speed 2 | 411.5 | 55 |
| Speed 3 | 551   | 61 |
| Speed 4 | 665   | 69 |

## Electrical Connection

Electrical connection rating 495 W  
Voltage 120 V

Frequency (Hz) 60 Hz  
Power supply cable length 1000 "



---

## Not included accessories

---



### KITCMNKD

Chimney extension dimension 202.8 \*  
276 \* 800



### FLTK-1

Round Charcoal filters (kit 2 pieces)



### KITALLFC

Universal Charcoal filter Stainless Steel  
AISI 304 The filter can be washed in  
dishwasher 50 °C (water and suitable  
detergent) and to dry it put in the oven  
180°C 25 minutes

## Symbols glossary (TT)

---



**Filters:** Model has filters to help remove grease from the steam emanating from the pans during cooking.



**Lights:** All cooker hoods feature lights to illuminate the cooking area or add to the ambience of the kitchen.