

# KD61XE2

|                |                                       |
|----------------|---------------------------------------|
| Product family | Hood                                  |
| Hood Type      | Chimney Cooker Hoods                  |
| Design         | Chimney                               |
| Extraction     | Ducted out or re-circulation possible |
| Material       | Stainless steel                       |
| Type of steel  | Brushed                               |
| EAN code       | 8017709285746                         |
| Hood width     | 60 cm                                 |



## Aesthetics

|            |                 |           |          |
|------------|-----------------|-----------|----------|
| Aesthetics | Universal       | Finishing | Brushed  |
| Colour     | Stainless steel | Logo      | Embossed |

## Controls

|                 |         |
|-----------------|---------|
| Control setting | Buttons |
|-----------------|---------|

## Programs / Functions

|               |   |
|---------------|---|
| No. of speeds | 3 |
|---------------|---|

## Technical Features

|  |   |                                    |           |
|--|---|------------------------------------|-----------|
|  |  |                                    |           |
| No. of lights  | 2   | No. of filters                     | 2         |
| Light type   | LED   | Anti-grease filters                | Aluminium |
| Light power  | 4 W   | Vent outlet                        | 150 mm    |
| Light colour   | 3000 °K   | Minimum distance from GAS hob      | 650 mm    |
| Free outlet maximum capacity   | 620 m <sup>3</sup> /h   | Minimum distance from ELECTRIC hob | 500 mm    |
| Motor power  | 140 W   |                                    |           |

|         | Extraction rate IEC 61591 [m <sup>3</sup> /h] | Noise level IEC 60704-2-13 [dBA] |
|---------|---|----------------------------------|
| Speed 1 | 280   | 54                               |
| Speed 2 | 420   | 62                               |
| Speed 3 | 580   | 70                               |

## Accessories Included

Tube reduction Yes

## Performance / Energy Label



Annual Efficiency Consumption (AEEhood) 77 kWh/year

Energy efficiency class (EEC) C

Fluid Dynamic Efficiency (FDE) 15,30

Fluid Dynamic Efficiency class (FDEC) D

Lighting Efficiency (LE) 17 lux/W

Lighting Efficiency Class (LEC) C

Grease Filtering Efficiency (GFE) 75,1 %

Grease Filtering Efficiency Class (GFEC) C

Air flow at minimum speed (Qmin) 280 m<sup>3</sup>/h

Maximum extraction rate 580 m<sup>3</sup>/h

Airbourne acoustical A-weighted sound Power Emission at minimum speed (SPEmin) 54 dBA

Airborne acoustical A-weighted sound Power Emission at maximum speed (SPEmax) 70 dBA

Time increase factor (F) 1,4

Energy Efficiency Index per first cavity 79,9

Measured air flow rate at best efficiency point (Qbep) 334 m<sup>3</sup>/h

Measured air pressure at best efficiency point (Qbep) 229 Pa

Measured electric power input at best efficiency point (Wbep) 139 W

Normal Power of the light system (WI) 8 W

Average illumination of the light on the cooking surface (Emiddle) 133 lux

Sound power level at highest setting (Lwa) 70 dBA

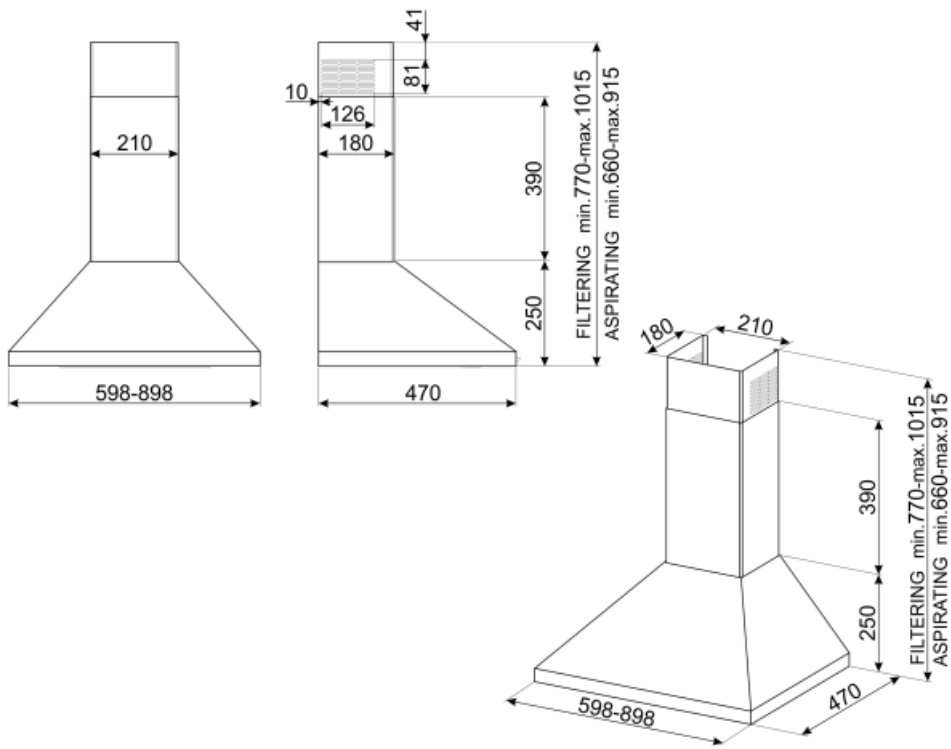
## Electrical Connection

Nominal power 148 W

Voltage 220-240 V

Frequency (Hz) 50-60 Hz

Power supply cable length 1500 mm



## Not included accessories

---



**KITFC155**

Charcoal filters Round Kit 2 pieces

---

## Symbols glossary

---



**Filters:** Model has filters to help remove grease from the steam emanating from the pans during cooking.



**Lights:** All cooker hoods feature lights to illuminate the cooking area or add to the ambience of the kitchen.

