

KD90HXE

Product family	Hood
Hood Type	Chimney Cooker Hoods
Design	Chimney
Extraction	Ducted out or re-circulation possible
Material	Stainless steel
Type of steel	Brushed
EAN code	8017709243593
Hood width	90 cm



Aesthetics

Aesthetics	Classic	Finishing	Brushed
Colour	Stainless steel	Logo	Applied


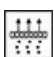
Controls

Control setting	Control knobs	Control knobs	Classic
No. of controls	2	Controls colour	Steel effect

Programs / Functions

No. of speeds	3
Intensive speed	

Technical Features

 	No. of lights	2	No. of filters	3
	Light type	LED	Anti-grease filters	Stainless steel
	Light power	1 W	Vent outlet	150 mm
	Light colour	4000 °K	Minimum distance from GAS hob	750 mm
	Free outlet maximum capacity	815 m ³ /h	Minimum distance from ELECTRIC hob	650 mm
	Motor power	275 W	Non return valve	Yes

	Extraction rate IEC 61591 [m³/h]	Noise level IEC 60704-2-13 [dB(A)]
Speed 1	288	48
Speed 2	421	63
Speed 3	630	67
Intensive speed	781	72

Performance / Energy Label



Annual Efficiency Consumption (AEChood)	40 kWh/year	Airbourne acoustical A-weighted sound Power Emission at minimum speed (SPEmin)	48 dB(A)
Energy efficiency class (EEC)	A+	Airborne acoustical A-weighted sound Power Emission at maximum speed (SPEmax)	67 dB(A)
Fluid Dynamic Efficiency (FDE)	36,2	Airbourne acoustical A-weighted sound power emission at boost speed (SPEboost)	72 dB(A)
Fluid Dynamic Efficiency class (FDEC)	A	Time increase factor (F)	1,00
Lighting Efficiency (LE)	78,2 lux/W	Measured air flow rate at best efficiency point (Qbep)	413 m³/h
Lighting Efficiency Class (LEC)	A	Measured air pressure at best efficiency point (Qbep)	476 Pa
Grease Filtering Efficiency (GFE)	78,5 %	Measured electric power input at best efficiency point (Wbep)	151 W
Grease Filtering Efficiency Class (GFEC)	C	Normal Power of the light system (WI)	2 W
Air flow at minumum speed (Qmin)	288 m³/h	Average illumination of the light on the cooking surface (Emiddle)	172 lux
Maximum extraction rate	630 m³/h	Sound power level at highest setting (Lwa)	67 dB(A)
Intensive extraction rate	781 m³/h		

Electrical Connection

Nominal power	277 W	Frequency (Hz)	50-60 Hz
Voltage	220-240 V	Power supply cable length	1000 mm

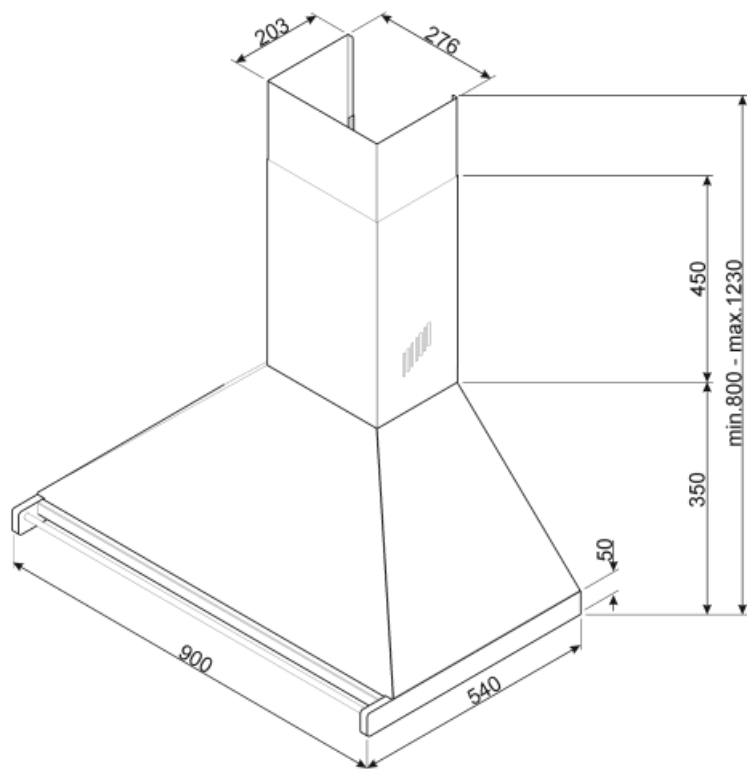
Also available

Alternative colours available	Black, Anthracite	Available colours	KD90HNE - KD90HAE
-------------------------------	-------------------	-------------------	-------------------

Optional accessories

Charcoal filter

FLT6



Not included accessories



FLT6

Round Charcoal filters (kit 2 pieces)



KITALLFC

Universal Charcoal filter Stainless Steel AISI 304 The filter can be washed in dishwasher 50 °C (water and suitable detergent) and to dry it put in the oven 180°C 25 minutes

Symbols glossary

- | | |
|---|---|
|  A+: Energy efficiency class A+ helps to save up to 10% energy compared to class A. Maximum performance with minimum consumption is guaranteed. |  Filters: Model has filters to help remove grease from the steam emanating from the pans during cooking. |
|  Lights: All cooker hoods feature lights to illuminate the cooking area or add to the ambience of the kitchen. |  Intensive/turbo setting: when extra fast extraction is required. |