

KD90XU

Product family	Hood
Hood Type	Decorative wall hood
Design	Chimney
Extraction	Extraction
Material	Stainless steel
Type of steel	Brushed
EAN code	8017709115869
Hood width	36 "



Aesthetics

Aesthetic	Classica	Serigraphy colour	Black
Colour	Stainless steel	Logo	Embossed
Finishing	Satin		

Controls

Control setting	Control knobs	Control knobs	Classic
No. of controls	2	Controls colour	Steel effect

Technical Features

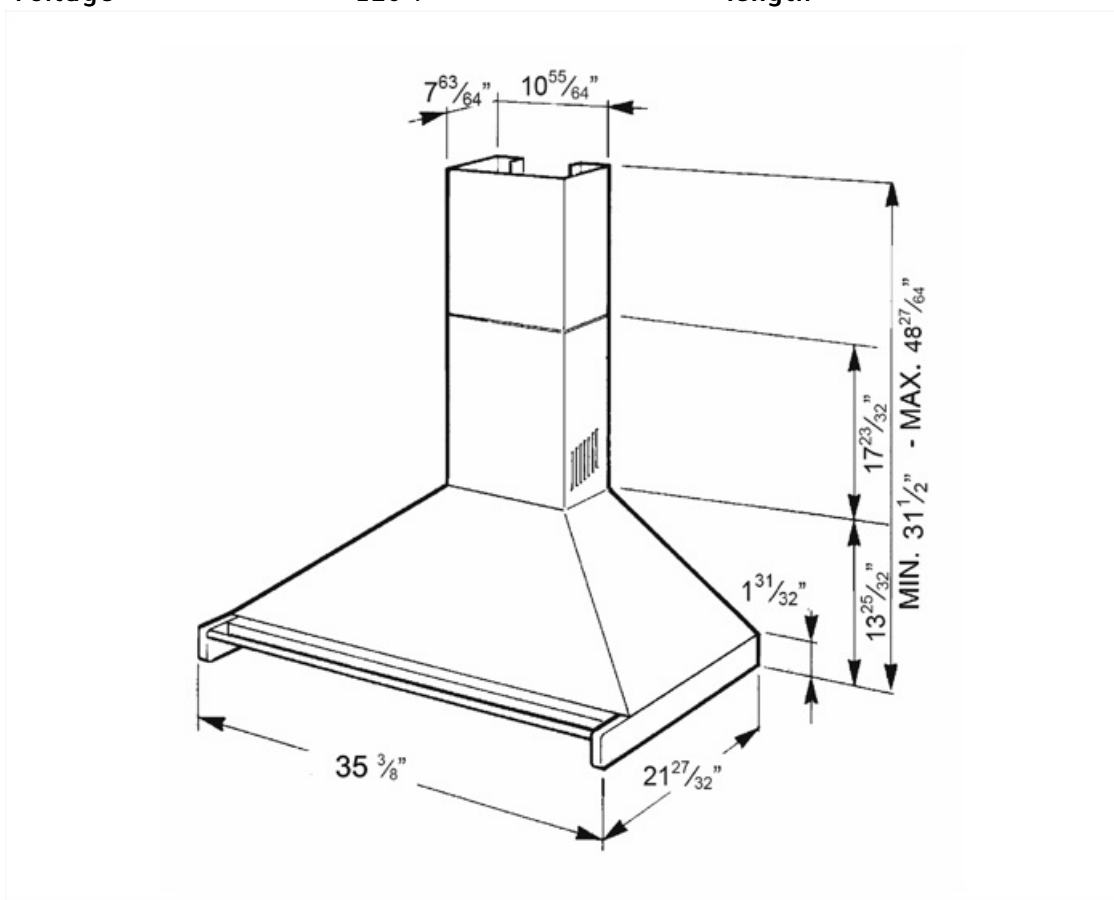
			
No. of lights	2	No. of filters	3
Light type	Halogen	Anti-grease filters	Aluminium
Light Power	20 W	Vent outlet	5 7/8 "
Light color temperature scale (°K)	3000 °K	Minimum distance from GAS hob	650 "
Free outlet maximum capacity	677 CFM	Minimum distance from ELECTRIC hob	650 "
Motor power	455 W	Non return valve	Yes

	Extraction rate IEC 61591 [CFM]	Noise level IEC 60704-2-13 [dBA]
Speed 1	275.5	48

Speed 2	411.5	55
Speed 3	551	61
Speed 4	665	69

Electrical Connection

Electrical connection rating	495 W	Frequency (Hz)	60 Hz
Voltage	120 V	Power supply cable length	1000 "



Not included accessories



KITCMNKD

Chimney extension dimension 202.8 *
276 * 800



FLTK-1

Round Charcoal filters (kit 2 pieces)



KITALLFC

Universal Charcoal filter Stainless Steel
AISI 304 The filter can be washed in
dishwasher 50 °C (water and suitable
detergent) and to dry it put in the oven
180°C 25 minutes

Symbols glossary (TT)



Filters: Model has filters to help remove grease from the steam emanating from the pans during cooking.



Lights: All cooker hoods feature lights to illuminate the cooking area or add to the ambience of the kitchen.